



OUR GLOBAL
COMPETENCE
CENTRES

 APOLLO DISPLAY
TECHNOLOGIES



 DISTEC



 DISPLAY
TECHNOLOGY



Datasheet

Disea

ZW-T043BWSA-05

DE-05-023



PRODUCT SPECIFICATIONS

For Customer: _____

: APPROVAL FOR SPECIFICATION

Customer Model No. _____

: APPROVAL FOR SAMPLE

Module No.: ZW-T043BWSA-05

Date : 2020.11.25

Table of Contents

| No. | Item | Page |
|-----|-------------------------------------|---------|
| 1 | Cover Sheet(Table of Contents) | P1 |
| 2 | Revision Record | P2 |
| 3 | General Specifications | P3 |
| 4 | Outline Drawing | P4 |
| 5 | Absolute Maximum Ratings | P5 |
| 6 | Electrical Specifications | P6-P12 |
| 7 | Optical Characteristics | P13-P16 |
| 8 | Reliability Test Items and Criteria | P17 |
| 9 | Packing Reliability | P18-P19 |
| | | |
| | | |
| | | |

For Customer's Acceptance:

| Approved By | Comment |
|-------------|---------|
| | |

| PREPARED | CHECKED | VERIFIED BY QA DEPT | VERIFIED BY R&D DEPT |
|----------|---------|---------------------|----------------------|
| RCR | | | |

3. General Specifications

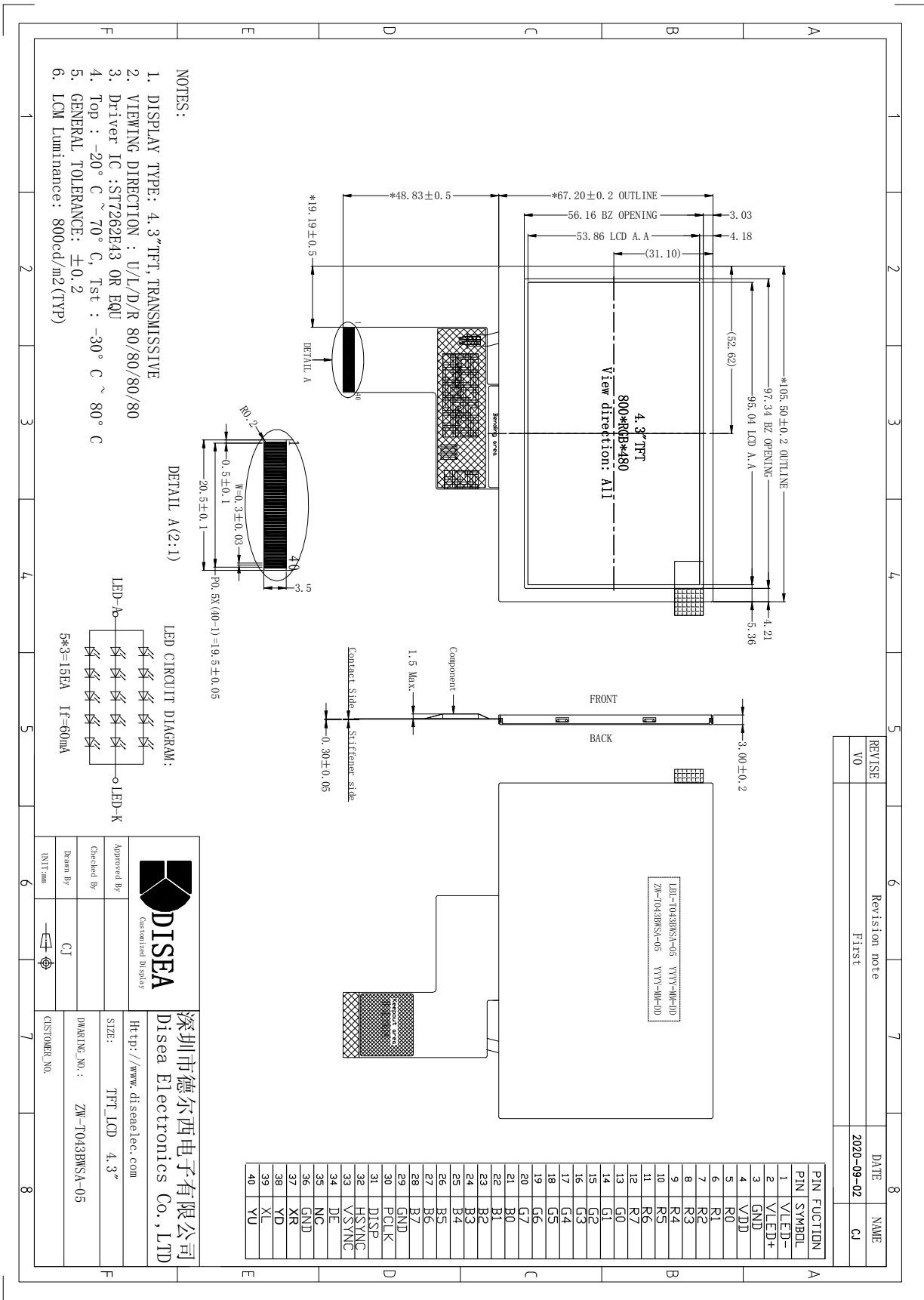
ZW-T043BWSA-05 is a TFT-LCD module. It is composed of a TFT-LCD panel, driver IC, FPC, a back light unit . The 4.3'' display area contains 800 x (RGB) x 480 pixels and can display up to 16.7M colors. This product accords with ROHS environmental criterion.

| Item | Contents | Unit | Note |
|-----------------------|-----------------------|---------|------|
| LCD Type | TFT | - | |
| Display color | 16.7M | | 1 |
| Viewing Direction | ALL | O'Clock | |
| Operating temperature | -20~+70 | °C | |
| Storage temperature | -30~+80 | °C | |
| Module size | 105.50 X 67.20 X 3.00 | mm | 2 |
| Active Area(W×H) | 95.04 X 53.86 | mm | |
| Number of Dots | 800 X 480 | dots | |
| TFT Controller | ST7262E43 | - | |
| Power Supply Voltage | 3.3 | V | |
| Backlight | 5S3P-LEDs (white) | pcs | |
| Weight | --- | g | |
| Interface | RGB888 | - | |

Note 1: Color tune is slightly changed by temperature and driving voltage.

Note 2: Without FPC and Solder .

4 Outline Drawing



5. Absolute Maximum Ratings(Ta=25°C)

5.1 Electrical Absolute Maximum Ratings.(Vss=0V ,Ta=25°C)

| Item | Symbol | Min. | Max. | Unit | Note |
|----------------------|--------|------|------|------|------|
| Power Supply Voltage | VDD | -0.3 | 4.0 | V | 1, 2 |

Notes:

1. If the module is above these absolute maximum ratings. It may become permanently damaged. Using the module within the following electrical characteristic conditions are also exceeded, the module will malfunction and cause poor reliability.
2. $V_{DD} > V_{SS}$ must be maintained.
3. Please be sure users are grounded when handing LCD Module

5.2 Environmental Absolute Maximum Ratings.

| Item | Storage | | Operating | | Note |
|---------------------|---------|------|-----------|------|------|
| | MIN. | MAX. | MIN. | MAX. | |
| Ambient Temperature | -30°C | 80°C | -20°C | 70°C | 1,2 |
| Humidity | - | - | - | - | 3 |

Notes:

1. The response time will become lower when operated at low temperature.
2. Background color changes slightly depending on ambient temperature.
The phenomenon is reversible.
3. $T_a \leq 40^\circ\text{C}$:85%RH MAX.
 $T_a \geq 40^\circ\text{C}$:Absolute humidity must be lower than the humidity of 85%RH at 40°C.

6. Electrical Specifications

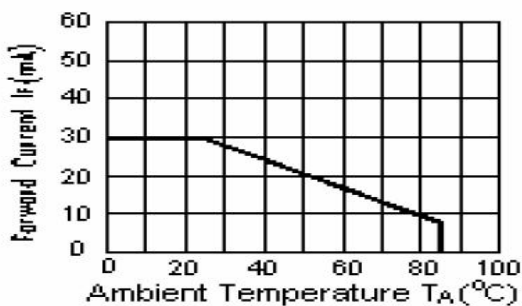
6.1 Electrical characteristics(V_{SS}=0V ,T_a=25°C)

| Parameter | Symbol | Condition | Min | Typ | Max | Unit | Note | |
|-------------------------|--------|----------------------|----------------------|---------|------|---------|------|--|
| Power supply | VDD | T _a =25°C | 3.0 | 3.3 | 3.6 | V | | |
| Current of power supply | IDD | T _a =25°C | - | 45.0 | 65.0 | mA | 1 | |
| 1Input voltage | 'H' | V _{IH} | T _a =25°C | 0.7*VDD | - | VDD | V | |
| | 'L' | V _{IL} | T _a =25°C | 0 | - | 0.3*VDD | V | |

Note 1: Display image at typical power supply current value is color pattern .

6.2 LED backlight specification(V_{SS}=0V ,T_a=25°C)

| Item | Symbol | Condition | Min | Typ | Max | Unit | Note |
|----------------|----------------|----------------------|------|-----|------|-------|------|
| Supply voltage | V _f | I _f =60mA | 13.5 | 15 | 16.5 | V | |
| Uniformity | Δ Bp | I _f =60mA | 75 | 80 | - | % | |
| Life Time | time | I _f =60mA | 20K | - | - | hours | 1 |



Note 1: Brightness to be decreased to 50% of the initial value at ambient temperature T_A=25 °C

6.3 Interface signals

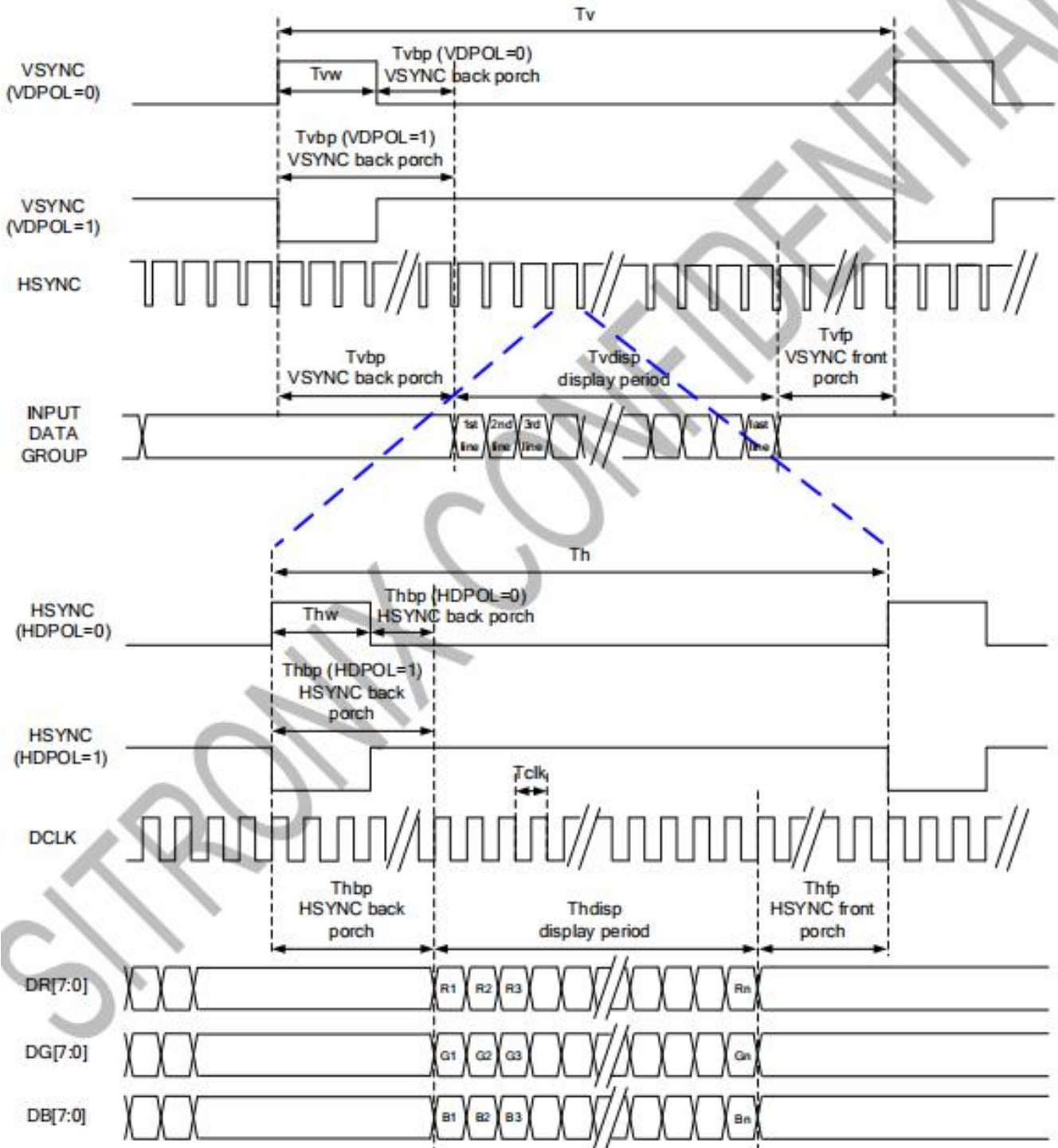
| Pin No. | Symbol | I/O | Function |
|---------|--------|-----|----------------------------------------------|
| 1 | VLED- | P | LED back light(Cathode) |
| 2 | VLED+ | P | LED back light(Anode) |
| 3 | GND | P | Ground |
| 4 | VDD | P | Power supply. |
| 5-12 | R0-R7 | I | Red data input |
| 13-20 | G0-G7 | I | Green data input |
| 21-28 | B0-B7 | I | Blue data input |
| 29 | GND | P | Ground |
| 30 | PCLK | I | Clock for Input Data. |
| 31 | DISP | I | Standby mode select pin, Normally pull high. |
| 32 | HSYNC | I | Horizontal sync input signal. |
| 33 | VSYNC | I | Vertical sync input signal. |
| 34 | DE | I | Data Input Enable. |
| 35 | NC | - | No Connection. |
| 36 | GND | P | Ground. |
| 37 | XR | I | Touch panel control pin. no use please NC. |
| 38 | YD | I | |
| 39 | XL | I | |
| 40 | YU | I | |

| Item | Symbol | Min. | Typ. | Max. | Unit | Conditions |
|------------------|--------|------|------|------|------|------------|
| CLK Pulse Duty | Tcw | 40 | 50 | 60 | % | |
| HSYNC Width | Thw | 2 | - | - | DCLK | |
| HSYNC Period | Th | 55 | 60 | 65 | us | |
| VSYNC Setup Time | Tvst | 10 | - | - | ns | |
| VSYNC Hold Time | Tvhd | 10 | - | - | ns | |
| HSYNC Setup Time | Thst | 10 | - | - | ns | |
| HSYNC Hold Time | Thhd | 10 | - | - | ns | |
| Data Setup Time | Tdsu | 10 | - | - | ns | |
| Data Hold Time | Tdhd | 10 | - | - | ns | |
| DE Setup Time | Tdest | 10 | - | - | ns | |
| DE Hold Time | Tdehd | 10 | - | - | ns | |

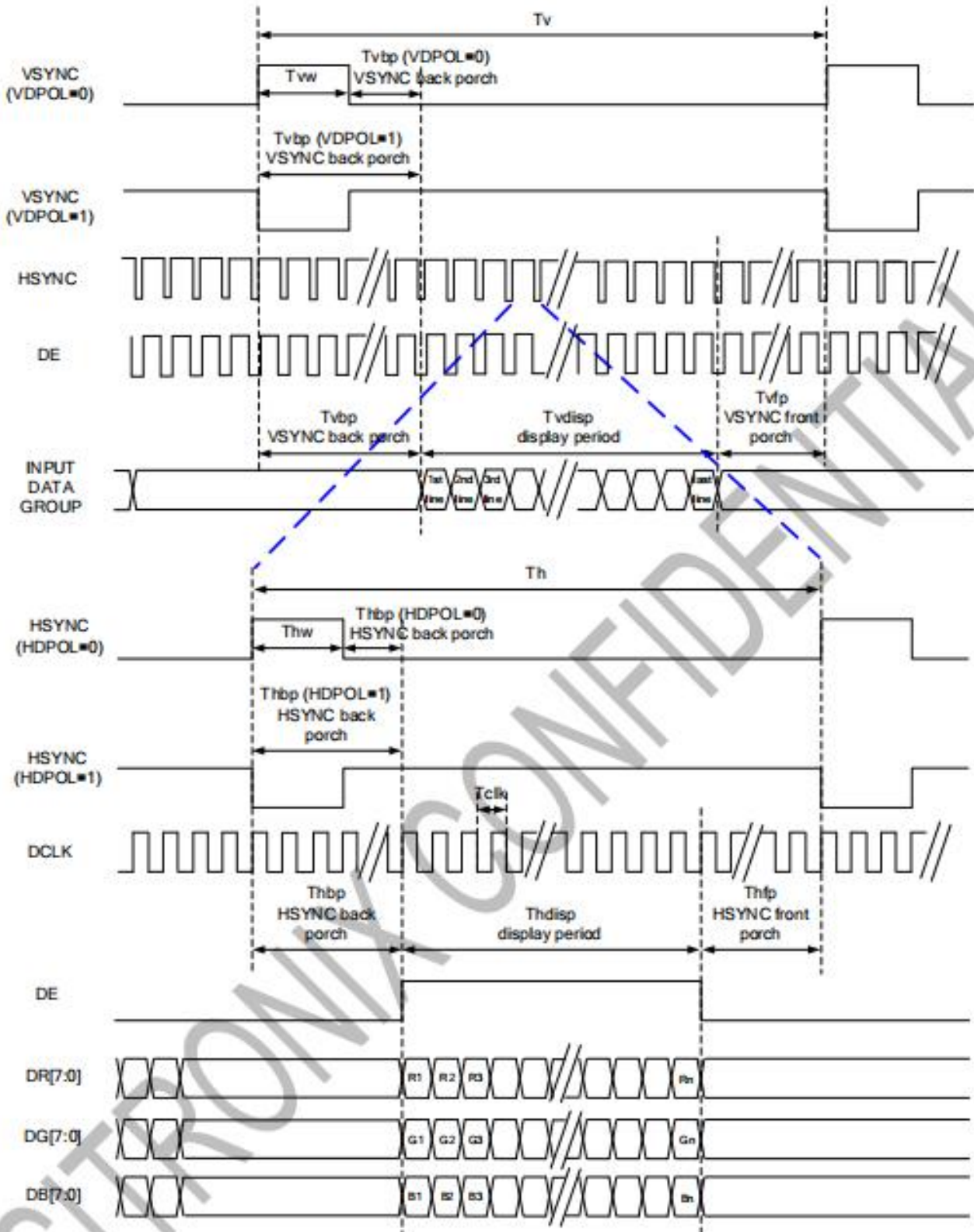
6.4.2 Parallel RGB Timing Table

| Parallel 24-bit RGB Interface Timing Table | | | | | | |
|--------------------------------------------|----------------|--------|------|------|------|--------|
| Item | Symbol | Min. | Typ. | Max. | Unit | Remark |
| DCLK Frequency | Fclk | 23 | 25 | 27 | MHz | |
| HSYNC | Period Time | Th | 808 | 816 | 896 | DCLK |
| | Display Period | Thdisp | 800 | | | DCLK |
| | Back Porch | Thbp | 4 | 8 | 48 | DCLK |
| | Front Porch | Thfp | 4 | 8 | 48 | DCLK |
| | Pulse Width | Thw | 2 | 4 | 8 | DCLK |
| VSYNC | Period Time | Tv | 488 | 496 | 504 | HSYNC |
| | Display Period | Tvdisp | 480 | | | HSYNC |
| | Back Porch | Tvbp | 4 | 8 | 12 | HSYNC |
| | Front Porch | Tvfp | 4 | 8 | 12 | HSYNC |
| | Pulse Width | Tvw | 2 | 4 | 8 | HSYNC |

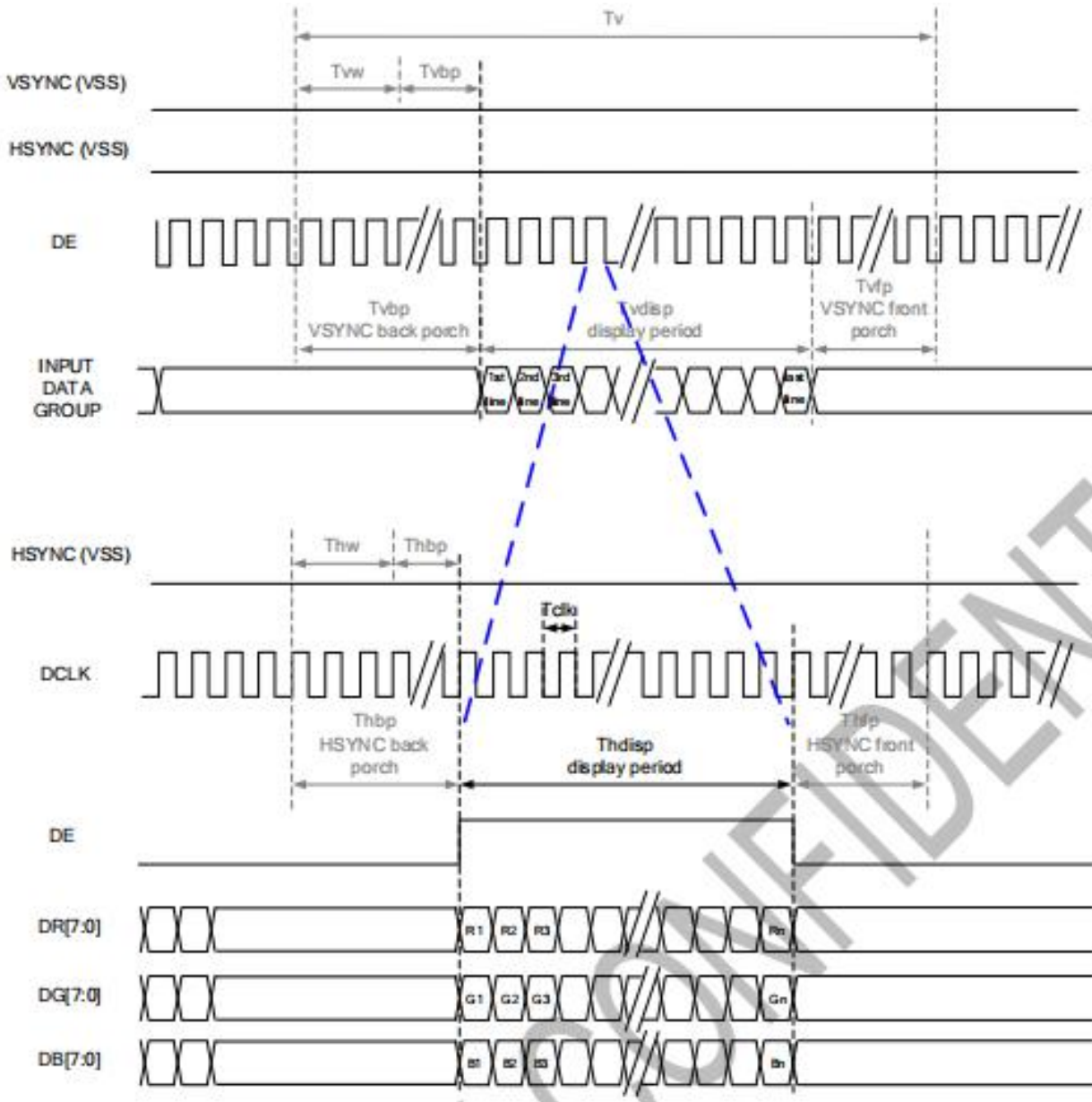
SYNC-DE Mode Timing Diagram



SYNC Mode Timing Diagram



DE Mode



7. Optical Characteristics

| Item | Symbol | Condition | Min. | Typ. | Max. | Unit | Note | |
|-------------------------|--------------------------------|------------------------------------|------------------------------------|--------------|--------------|-------------------|------|---|
| Brightness | Bp | $\theta=0^\circ$ $\Phi=0^\circ$ | 700 | 800 | - | Cd/m ² | 1 | |
| Uniformity | Δ Bp | | 75 | 80 | - | % | 1,2 | |
| Viewing Angle | 3:00 | Cr \geq 10 | - | 80 | - | Deg | 3 | |
| | 6:00 | | - | 80 | - | | | |
| | 9:00 | | - | 80 | - | | | |
| | 12:00 | | - | 80 | - | | | |
| Contrast Ratio | Cr | $\theta=0^\circ$ $\Phi=0^\circ$ | - | 1200 | - | - | 4 | |
| Response Time | T _r +T _f | | - | 30 | - | ms | 5 | |
| Color of CIE Coordinate | W | x | $\theta=0^\circ$ $\Phi=0^\circ$ | Typ -0.05 | Typ +0.05 | - | 1,6 | |
| | | y | | | | - | | |
| | R | x | | | | 0.281 | | - |
| | | y | | | | 0.313 | | - |
| | G | x | | | | 0.581 | | - |
| | | y | | | | 0.363 | | - |
| | B | x | | | | 0.342 | | - |
| | | y | | | | 0.586 | | - |
| S | x | 0.136 | - | | | | | |
| | y | 0.099 | - | | | | | |
| NTSC Ratio | S | - | 50 | - | % | | | |

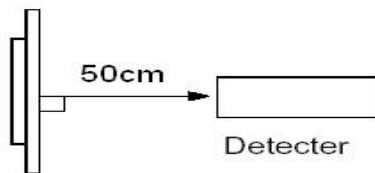
Note: The parameter is slightly changed by temperature, driving voltage and materiel

Note 1: The data are measured after LEDs are turned on for 5 minutes. LCM displays full white. The brightness is the average value of 9 measured spots. Measurement equipment PR-705 (Φ8mm)

Measuring condition:

- Measuring surroundings: Dark room.
- Measuring temperature: $T_a=25\text{ }^\circ\text{C}$.
- Adjust operating voltage to get optimum contrast at the center of the display.

Measured value at the center point of LCD panel after more than 5 minutes while backlight turning on.

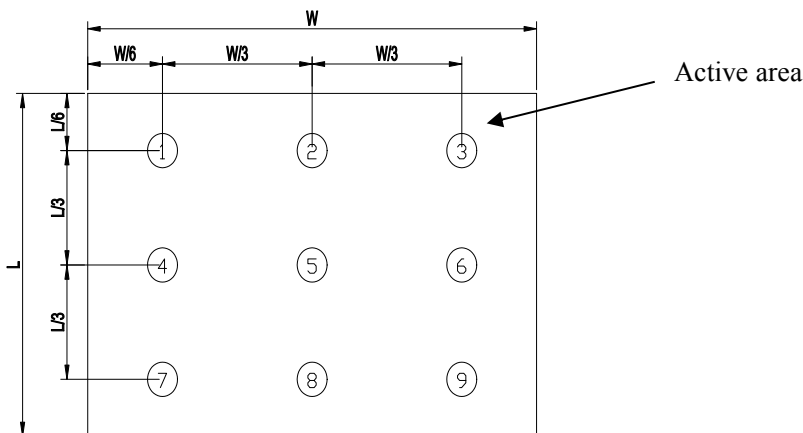


Note 2: The luminance uniformity is calculated by using following formula.

$$\Delta B_p = B_p (\text{Min.}) / B_p (\text{Max.}) \times 100 (\%)$$

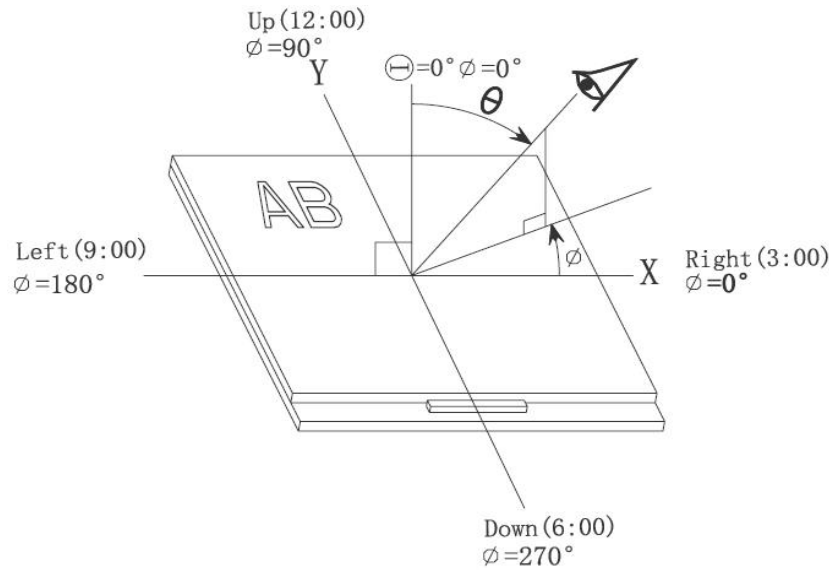
$B_p (\text{Max.})$ = Maximum brightness in 9 measured spots

$B_p (\text{Min.})$ = Minimum brightness in 9 measured spots.

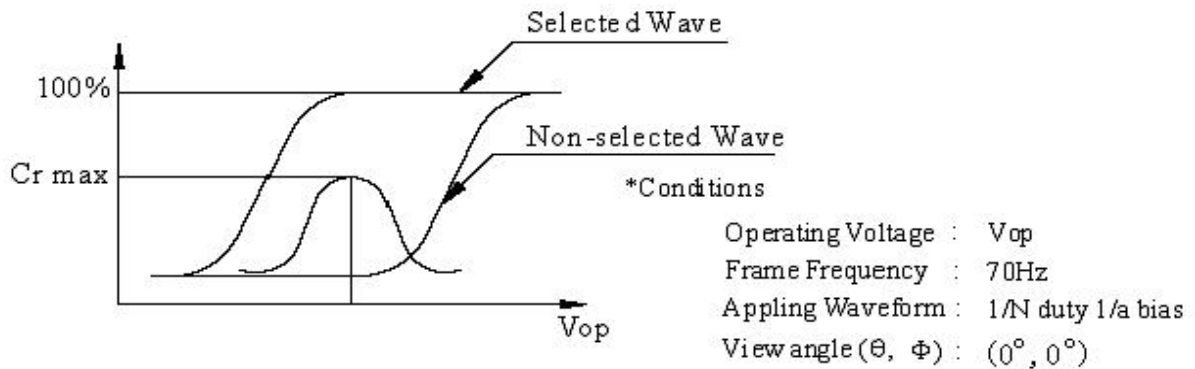


Note 3: The definition of viewing angle:

Refer to the graph below marked by θ and Φ



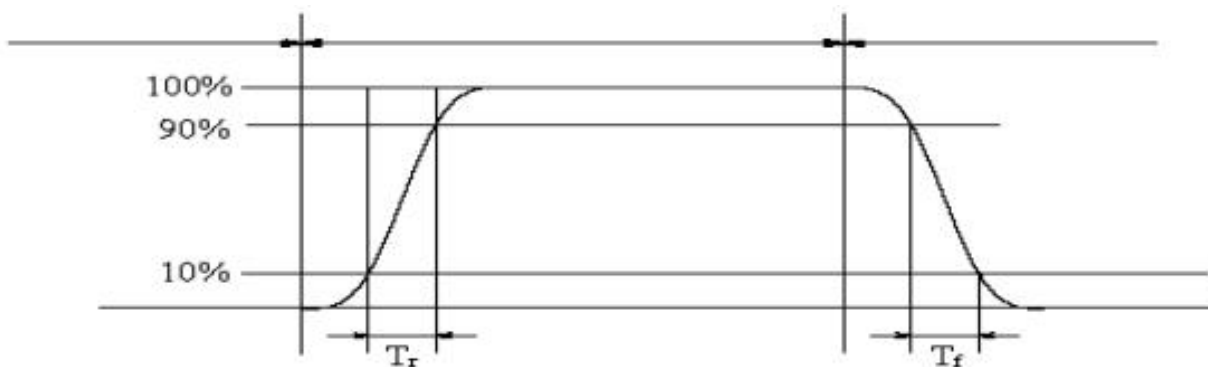
Note 4: Definition of contrast ratio.(Test LCD using DMS501)



$$\text{Contrast ratio}(Cr) = \frac{\text{Brightness of selected dots}}{\text{Brightness of non-selected dots}}$$

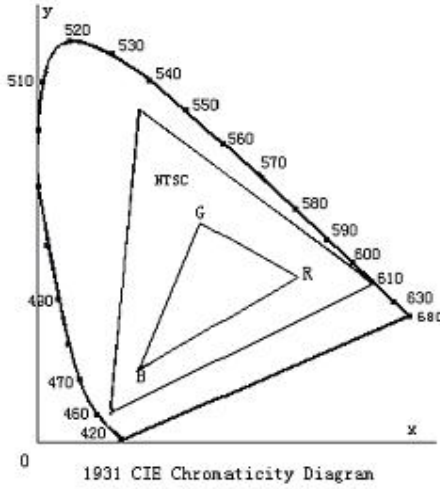
Note 5: Definition of Response time. (Test LCD using DMS501):

The output signals of photo detector are measured when the input signals are changed from “black” to “white”(falling time) and from “white” to “black”(rising time), respectively. The response time is defined as the time interval between the 10% and 90% of amplitudes. Refer to figure as below.



The definition of response time

Note 6: Definition of Color of CIE Coordinate and NTSC Ratio.

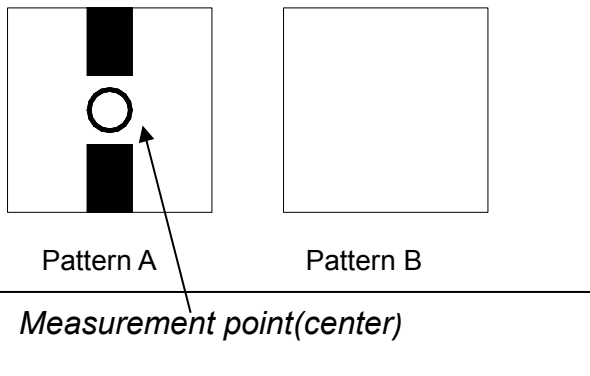


Color gamut:

$$S = \frac{\text{area of RGB triangle}}{\text{area of NTSC triangle}} \times 100\%$$

Note 7: Definition of cross talk.

Cross talk ratio(%) = $\frac{|\text{pattern A Brightness} - \text{pattern B Brightness}|}{\text{pattern A Brightness}} \times 100$



Electric volume value = $3F \pm 3Hex$

8. Reliability Test Items and Criteria

| Test Item | Test condition | Remark |
|----------------------------------------|---------------------------------------------------------------------------------------------------------------------------------------------------|----------------|
| High Temperature Storage | Ta = 80°C 96hrs | Note1,Note3, 4 |
| Low Temperature Storage | Ta = -30°C 96hrs | Note1,Note3, 4 |
| High Temperature Operation | Ta = 70°C 96hrs | Note2,Note3, 4 |
| Low Temperature Operation | Ta = -20°C 96hrs | Note1,Note3, 4 |
| Operation at High Temperature/Humidity | +60°C, 90%RH 96hrs | Note3, 4 |
| Thermal Shock | -30°C/30 min ~ +80°C/30 min for a total 10 cycles, Start with cold temperature and end with high temperature. | Note3, 4 |
| Vibration Test | Frequency range:10~55Hz Stroke:1.5mm Sweep:10Hz~55Hz~10Hz 2 hours for each direction of X. Y. Z. (6 hours for total) | |
| Mechanical Shock | 100G 6ms,±X, ±Y, ±Z 3 times for each direction | |
| Package Vibration Test | Random Vibration : 0.015G*G/Hz from 5-200HZ, -6dB/Octave from 200-500HZ 2 hours for each direction of X. Y. Z. (6 hours for total) | |
| Package Drop Test | Height:60cm 1 corner, 3 edges, 6 surfaces | |
| Electro Static Discharge | ±2KV, Human Body Mode, 100pF/1500Ω | |

Note 1: Ta is the ambient temperature of samples.

Note 2: Ts is the temperature of panel's surface.

Note 3: In the standard condition, there shall be no practical problem that may affect the display function. After the reliability test, the product only guarantees operation, but don't guarantee all of the cosmetic specification.

Note 4: Before cosmetic and function test, the product must have enough recovery time, at least 2 hours at room temperature

9. Precautions for Use of LCD Modules

9.1 Handling Precautions

9.1.1 *The display panel is made of glass. Do not subject it to a mechanical shock by dropping it from a high place, etc.*

9.1.2 *If the display panel is damaged and the liquid crystal substance inside it leaks out, be sure not to get any in your mouth, if the substance comes into contact with your skin or clothes, promptly wash it off using soap and water.*

9.1.3 *Do not apply excessive force to the display surface or the adjoining areas since this may cause the color tone to vary.*

9.1.4 *The polarizer covering the display surface of the LCD module is soft and easily scratched. Handle this polarizer carefully.*

9.1.5 *If the display surface is contaminated, breathe on the surface and gently wipe it with a soft dry cloth. If still not completely clear, moisten cloth with one of the following solvents:*

— Isopropyl alcohol — Ethyl alcohol

Solvents other than those mentioned above may damage the polarizer. Especially, do not use the following:

— Water — Ketone — Aromatic solvents

9.1.6 *Do not attempt to disassemble the LCD Module.*

9.1.7 *If the logic circuit power is off, do not apply the input signals.*

9.1.8 *To prevent destruction of the elements by static electricity, be careful to maintain an optimum work environment.*

a. *Be sure to ground the body when handling the LCD Modules.*

b. *Tools required for assembly, such as soldering irons, must be properly ground.*

c. *To reduce the amount of static electricity generated, do not conduct assembly and other work under dry conditions.*

d. *The LCD Module is coated with a film to protect the display surface. Be care when peeling off this protective film since static electricity may be generated.*

9.2 Storage precautions

9.2.1 *When storing the LCD modules, avoid exposure to direct sunlight or to the light of fluorescent lamps.*

9.2.2 *The LCD modules should be stored under the storage temperature range. If the LCD modules will be stored for a long time, the recommend condition is:*

Temperature : 0 °C ~ 40 °C

Relatively humidity: ≤ 80%

9.2.3 *The LCD modules should be stored in the room without acid, alkali and harmful gas.*

9.3 *The LCD modules should be no falling and violent shocking during transportation, and also should avoid excessive press, water, damp and sunshine.*

END

Our company network supports you worldwide with offices in Germany, Austria, Switzerland, the UK and the USA. For more information please contact:

Headquarters

Germany



FORTEC Elektronik AG

Augsburger Str. 2b
82110 Germering

Phone: +49 89 894450-0
E-Mail: info@forteca.de
Internet: www.forteca.de

Fortec Group Members

Austria



Distec GmbH Office Vienna

Nuschinggasse 12
1230 Wien

Phone: +43 1 8673492-0
E-Mail: info@distec.de
Internet: www.distec.de

Germany



Distec GmbH

Augsburger Str. 2b
82110 Germering

Phone: +49 89 894363-0
E-Mail: info@distec.de
Internet: www.distec.de

Switzerland



ALTRAC AG

Bahnhofstraße 3
5436 Würenlos

Phone: +41 44 7446111
E-Mail: info@altrac.ch
Internet: www.altrac.ch

United Kingdom



Display Technology Ltd.

Osprey House, 1 Osprey Court
Hichingbrooke Business Park
Huntingdon, Cambridgeshire, PE29 6FN

Phone: +44 1480 411600
E-Mail: info@displaytechnology.co.uk
Internet: www.displaytechnology.co.uk

USA



Apollo Display Technologies, Corp.

87 Raynor Avenue,
Unit 1 Ronkonkoma,
NY 11779

Phone: +1 631 5804360
E-Mail: info@apolloDisplays.com
Internet: www.apolloDisplays.com