



Datasheet

AUO

G101EVN01.2

UP-02-129

The information contained in this document has been carefully researched and is, to the best of our knowledge, accurate. However, we assume no liability for any product failures or damages, immediate or consequential, resulting from the use of the information provided herein. Our products are not intended for use in systems in which failures of product could result in personal injury. All trademarks mentioned herein are property of their respective owners. All specifications are subject to change without notice.



Product Specification

G101EVN01.2

AU OPTRONICS CORPORATION

(v) Preliminary Specifications

() Final Specifications

Module	10.1 Inch Color TFT-LCD
Model Name	G101EVN01.2

Customer	Date
Checked & Approved by	
_____	_____

Approved by	Date
<u>Grace Hung</u>	<u>2015/12/24</u>
Prepared by	
<u>Ivan Chao</u>	<u>2015/12/24</u>
General Display Business Division / AU Optronics corporation	



Contents

- 1. Operating Precautions 6**
- 2. General Description 7**
 - 2.1 Display Characteristics 7
 - 2.2 Optical Characteristics 8
- 3. Functional Block Diagram 11**
- 4. Absolute Maximum Ratings..... 12**
 - 4.1 Absolute Ratings of TFT LCD Module..... 12
 - 4.2 Absolute Ratings of Environment..... 12
- 5. Electrical Characteristics..... 13**
 - 5.1 TFT LCD Module 13
 - 5.2 Backlight Unit 15
- 6. Signal Characteristic..... 16**
 - 6.1 Pixel Format Image 16
 - 6.2 Signal Description 17
 - 6.3 The Input Data Format..... 19
 - 6.4 Interface Timing 20
 - 6.5 Power ON/OFF Sequence 21
- 7. Reliability Test Criteria..... 22**
- 8. Mechanical Characteristics 23**
 - 8.1 LCM Outline Dimension (Front View)..... 23
 - 8.2 LCM Outline Dimension (Rear View) 24
- 9. Label and Packaging 25**
 - 9.1 Shipping Label (on the rear side of TFT-LCD display) 25
 - 9.2 Carton Package 25
- 10 Safety..... 26**
 - 10.1 Sharp Edge Requirements..... 26
 - 10.2 Materials 26
 - 10.3 Capacitors..... 26
 - 10.4 National Test Lab Requirement..... 26



Record of Revision

Version and Date	Page	Old description	New Description																																																																																																																																																															
0.0 Feb, 10, 2015	All	First draft specification	-																																																																																																																																																															
0.1 May, 5, 2015	6	<table border="1"> <tr><td>Weight</td><td>[Grams]</td><td>TBD g max.</td></tr> <tr><td>Physical Size</td><td>[mm]</td><td>TBD</td></tr> <tr><td>Electrical Interface</td><td></td><td>LVDS</td></tr> <tr><td>Surface Treatment</td><td></td><td>Anti-Reflection\leq1.5%, Hardness 3H Anti-Static</td></tr> <tr><td>Support Color</td><td></td><td>262K colors (RGB 6-bit)</td></tr> <tr><td>Temperature Range Operating Storage (Non-Operating)</td><td>[°C]</td><td>-20 to +60 -30 to +70</td></tr> </table>	Weight	[Grams]	TBD g max.	Physical Size	[mm]	TBD	Electrical Interface		LVDS	Surface Treatment		Anti-Reflection \leq 1.5%, Hardness 3H Anti-Static	Support Color		262K colors (RGB 6-bit)	Temperature Range Operating Storage (Non-Operating)	[°C]	-20 to +60 -30 to +70	<table border="1"> <tr><td>Weight</td><td>[Grams]</td><td>350 g max.</td></tr> <tr><td>Physical Size</td><td>[mm]</td><td>229.5(H) x 149.1(V)x7.6 (T) (without connector)</td></tr> <tr><td>Electrical Interface</td><td></td><td>LVDS</td></tr> <tr><td>Surface Treatment</td><td></td><td>Anti-Reflection\leq1.5%, Hardness 3H Anti-Static</td></tr> <tr><td>Support Color</td><td></td><td>16.2M (8bits) / 262K colors (6bits)</td></tr> <tr><td>Temperature Range Operating Storage (Non-Operating)</td><td>[°C]</td><td>-20 to +60 -30 to +60</td></tr> </table>	Weight	[Grams]	350 g max.	Physical Size	[mm]	229.5(H) x 149.1(V)x7.6 (T) (without connector)	Electrical Interface		LVDS	Surface Treatment		Anti-Reflection \leq 1.5%, Hardness 3H Anti-Static	Support Color		16.2M (8bits) / 262K colors (6bits)	Temperature Range Operating Storage (Non-Operating)	[°C]	-20 to +60 -30 to +60																																																																																																																											
	Weight	[Grams]	TBD g max.																																																																																																																																																															
	Physical Size	[mm]	TBD																																																																																																																																																															
	Electrical Interface		LVDS																																																																																																																																																															
	Surface Treatment		Anti-Reflection \leq 1.5%, Hardness 3H Anti-Static																																																																																																																																																															
Support Color		262K colors (RGB 6-bit)																																																																																																																																																																
Temperature Range Operating Storage (Non-Operating)	[°C]	-20 to +60 -30 to +70																																																																																																																																																																
Weight	[Grams]	350 g max.																																																																																																																																																																
Physical Size	[mm]	229.5(H) x 149.1(V)x7.6 (T) (without connector)																																																																																																																																																																
Electrical Interface		LVDS																																																																																																																																																																
Surface Treatment		Anti-Reflection \leq 1.5%, Hardness 3H Anti-Static																																																																																																																																																																
Support Color		16.2M (8bits) / 262K colors (6bits)																																																																																																																																																																
Temperature Range Operating Storage (Non-Operating)	[°C]	-20 to +60 -30 to +60																																																																																																																																																																
10	3. Functional Block Diagram: TBD modify																																																																																																																																																																	
11	4.1 Absolute Ratings of TFT LCD Module <table border="1"> <thead> <tr><th>Item</th><th>Symbol</th><th>Min</th><th>Max</th><th>Unit</th></tr> </thead> <tbody> <tr><td>Logic/LCD drive Voltage</td><td>V_{in}</td><td>-0.3</td><td>+4.0</td><td>[Vot]</td></tr> </tbody> </table> 4.2 Absolute Ratings of Environment <table border="1"> <thead> <tr><th>Item</th><th>Symbol</th><th>Min</th><th>Max</th><th>Unit</th></tr> </thead> <tbody> <tr><td>Operating Temperature</td><td>TOP</td><td>-20</td><td>+60</td><td>[°C]</td></tr> <tr><td>Operation Humidity</td><td>HOP</td><td>5</td><td>90</td><td>[%RH]</td></tr> <tr><td>Storage Temperature</td><td>TST</td><td>-30</td><td>+70</td><td>[°C]</td></tr> <tr><td>Storage Humidity</td><td>HST</td><td>5</td><td>90</td><td>[%RH]</td></tr> </tbody> </table>		Item	Symbol	Min	Max	Unit	Logic/LCD drive Voltage	V _{in}	-0.3	+4.0	[Vot]	Item	Symbol	Min	Max	Unit	Operating Temperature	TOP	-20	+60	[°C]	Operation Humidity	HOP	5	90	[%RH]	Storage Temperature	TST	-30	+70	[°C]	Storage Humidity	HST	5	90	[%RH]	4.1 Absolute Ratings of TFT LCD Module <table border="1"> <thead> <tr><th>Item</th><th>Symbol</th><th>Min</th><th>Max</th><th>Unit</th></tr> </thead> <tbody> <tr><td>Logic/LCD drive Voltage</td><td>VDD</td><td>-0.3</td><td>+4.0</td><td>[Vot]</td></tr> <tr><td>LCD Input Signal Voltage</td><td>V_{SIGNAL}</td><td>-0.3</td><td>TBD</td><td>[Vot]</td></tr> <tr><td>LED BLU Drive Voltage</td><td>VLED</td><td>-0.3</td><td>+15</td><td>[Vot]</td></tr> <tr><td>LED Dimming Input Voltage</td><td>VPWM_EN</td><td>-0.3</td><td>+15</td><td>[Vot]</td></tr> <tr><td>LED Enable Input Voltage</td><td>VLED_EN</td><td>-0.3</td><td>+15</td><td>[Vot]</td></tr> </tbody> </table> 4.2 Absolute Ratings of Environment <table border="1"> <thead> <tr><th>Item</th><th>Symbol</th><th>Min</th><th>Max</th><th>Unit</th></tr> </thead> <tbody> <tr><td>Operating Temperature</td><td>TOP</td><td>-20</td><td>+60</td><td>[°C]</td></tr> <tr><td>Operation Humidity</td><td>HOP</td><td>5</td><td>90</td><td>[%RH]</td></tr> <tr><td>Storage Temperature</td><td>TST</td><td>-30</td><td>+80</td><td>[°C]</td></tr> <tr><td>Storage Humidity</td><td>HST</td><td>5</td><td>90</td><td>[%RH]</td></tr> </tbody> </table>	Item	Symbol	Min	Max	Unit	Logic/LCD drive Voltage	VDD	-0.3	+4.0	[Vot]	LCD Input Signal Voltage	V _{SIGNAL}	-0.3	TBD	[Vot]	LED BLU Drive Voltage	VLED	-0.3	+15	[Vot]	LED Dimming Input Voltage	VPWM_EN	-0.3	+15	[Vot]	LED Enable Input Voltage	VLED_EN	-0.3	+15	[Vot]	Item	Symbol	Min	Max	Unit	Operating Temperature	TOP	-20	+60	[°C]	Operation Humidity	HOP	5	90	[%RH]	Storage Temperature	TST	-30	+80	[°C]	Storage Humidity	HST	5	90	[%RH]																																																																					
Item	Symbol	Min	Max	Unit																																																																																																																																																														
Logic/LCD drive Voltage	V _{in}	-0.3	+4.0	[Vot]																																																																																																																																																														
Item	Symbol	Min	Max	Unit																																																																																																																																																														
Operating Temperature	TOP	-20	+60	[°C]																																																																																																																																																														
Operation Humidity	HOP	5	90	[%RH]																																																																																																																																																														
Storage Temperature	TST	-30	+70	[°C]																																																																																																																																																														
Storage Humidity	HST	5	90	[%RH]																																																																																																																																																														
Item	Symbol	Min	Max	Unit																																																																																																																																																														
Logic/LCD drive Voltage	VDD	-0.3	+4.0	[Vot]																																																																																																																																																														
LCD Input Signal Voltage	V _{SIGNAL}	-0.3	TBD	[Vot]																																																																																																																																																														
LED BLU Drive Voltage	VLED	-0.3	+15	[Vot]																																																																																																																																																														
LED Dimming Input Voltage	VPWM_EN	-0.3	+15	[Vot]																																																																																																																																																														
LED Enable Input Voltage	VLED_EN	-0.3	+15	[Vot]																																																																																																																																																														
Item	Symbol	Min	Max	Unit																																																																																																																																																														
Operating Temperature	TOP	-20	+60	[°C]																																																																																																																																																														
Operation Humidity	HOP	5	90	[%RH]																																																																																																																																																														
Storage Temperature	TST	-30	+80	[°C]																																																																																																																																																														
Storage Humidity	HST	5	90	[%RH]																																																																																																																																																														
13	<table border="1"> <thead> <tr><th>Symbol</th><th>Item</th><th>Min.</th><th>Typ.</th><th>Max.</th><th>Unit</th><th>Remark</th></tr> </thead> <tbody> <tr><td>VTH</td><td>Differential Input High Threshold</td><td>---</td><td></td><td>100</td><td>[mV]</td><td>VCM=1.2V</td></tr> <tr><td>VTL</td><td>Differential Input Low Threshold</td><td>-100</td><td></td><td>---</td><td>[mV]</td><td>VCM=1.2V</td></tr> <tr><td>ΔVID_L</td><td>Input Differential Voltage</td><td>100</td><td></td><td>600</td><td>[mV]</td><td></td></tr> <tr><td>VICM</td><td>Differential Input Common Mode Voltage</td><td>1.125</td><td></td><td>1.375</td><td>[V]</td><td>VTH/VTL=±100mV</td></tr> </tbody> </table>	Symbol	Item	Min.	Typ.	Max.	Unit	Remark	VTH	Differential Input High Threshold	---		100	[mV]	VCM=1.2V	VTL	Differential Input Low Threshold	-100		---	[mV]	VCM=1.2V	ΔVID_L	Input Differential Voltage	100		600	[mV]		VICM	Differential Input Common Mode Voltage	1.125		1.375	[V]	VTH/VTL=±100mV	<table border="1"> <thead> <tr><th>Symbol</th><th>Item</th><th>Min.</th><th>Typ.</th><th>Max.</th><th>Unit</th><th>Remark</th></tr> </thead> <tbody> <tr><td>VTH</td><td>Differential Input High Threshold</td><td>---</td><td></td><td>100</td><td>[mV]</td><td>VCM=1.2V</td></tr> <tr><td>VTL</td><td>Differential Input Low Threshold</td><td>-100</td><td></td><td>---</td><td>[mV]</td><td>VCM=1.2V</td></tr> <tr><td>ΔVID_L</td><td>Input Differential Voltage</td><td>100</td><td></td><td>600</td><td>[mV]</td><td></td></tr> <tr><td>VICM</td><td>Differential Input Common Mode Voltage</td><td>0.7</td><td></td><td>1.6</td><td>[V]</td><td>VTH/VTL=±100mV</td></tr> </tbody> </table>	Symbol	Item	Min.	Typ.	Max.	Unit	Remark	VTH	Differential Input High Threshold	---		100	[mV]	VCM=1.2V	VTL	Differential Input Low Threshold	-100		---	[mV]	VCM=1.2V	ΔVID_L	Input Differential Voltage	100		600	[mV]		VICM	Differential Input Common Mode Voltage	0.7		1.6	[V]	VTH/VTL=±100mV																																																																																										
Symbol	Item	Min.	Typ.	Max.	Unit	Remark																																																																																																																																																												
VTH	Differential Input High Threshold	---		100	[mV]	VCM=1.2V																																																																																																																																																												
VTL	Differential Input Low Threshold	-100		---	[mV]	VCM=1.2V																																																																																																																																																												
ΔVID_L	Input Differential Voltage	100		600	[mV]																																																																																																																																																													
VICM	Differential Input Common Mode Voltage	1.125		1.375	[V]	VTH/VTL=±100mV																																																																																																																																																												
Symbol	Item	Min.	Typ.	Max.	Unit	Remark																																																																																																																																																												
VTH	Differential Input High Threshold	---		100	[mV]	VCM=1.2V																																																																																																																																																												
VTL	Differential Input Low Threshold	-100		---	[mV]	VCM=1.2V																																																																																																																																																												
ΔVID_L	Input Differential Voltage	100		600	[mV]																																																																																																																																																													
VICM	Differential Input Common Mode Voltage	0.7		1.6	[V]	VTH/VTL=±100mV																																																																																																																																																												
14	<table border="1"> <thead> <tr><th>Symbol</th><th>Parameter</th><th>Min.</th><th>Typ.</th><th>Max.</th><th>Unit</th><th>Remark</th></tr> </thead> <tbody> <tr><td>VLED</td><td>Input Voltage</td><td>TBD</td><td>-</td><td>TBD</td><td>[Vot]</td><td></td></tr> <tr><td>I_{LED}</td><td>Input Current</td><td>-</td><td>-</td><td>TBD</td><td>[mA]</td><td>100% Brightness (VLED = 12V)</td></tr> <tr><td>P_{VLED}</td><td>Power Consumption</td><td>-</td><td>-</td><td>TBD</td><td>[Watt]</td><td>100% Brightness (VLED = 12V)</td></tr> <tr><td>V_{EN_H}</td><td>Enable Input High Level</td><td>TBD</td><td>-</td><td>TBD</td><td>[Vot]</td><td rowspan="2">VLED_EN</td></tr> <tr><td>V_{EN_L}</td><td>Enable Input Low Level</td><td>-</td><td>-</td><td>TBD</td><td>[Vot]</td></tr> <tr><td>F_{PWM}</td><td>Dimming Frequency</td><td>TBD</td><td>-</td><td>TBD</td><td>[Hz]</td><td rowspan="4">PWM Dimming</td></tr> <tr><td>V_{PWM_H}</td><td>Logic Input High Level</td><td>TBD</td><td>-</td><td>TBD</td><td>[Vot]</td></tr> <tr><td>V_{PWM_L}</td><td>Logic Input Low Level</td><td>-</td><td>-</td><td>TBD</td><td>[Vot]</td></tr> <tr><td></td><td>Dimming duty cycle</td><td>TBD</td><td>-</td><td>TBD</td><td>%</td></tr> <tr><td>I_f</td><td>LED Forward Current</td><td>-</td><td>60</td><td>-</td><td>[mA]</td><td>Ta = 25°C (Ta=25°C), Note 2</td></tr> <tr><td>Operation Life</td><td></td><td>30,000</td><td>50,000</td><td>-</td><td>Hrs</td><td>I_f=60mA</td></tr> </tbody> </table>	Symbol	Parameter	Min.	Typ.	Max.	Unit	Remark	VLED	Input Voltage	TBD	-	TBD	[Vot]		I _{LED}	Input Current	-	-	TBD	[mA]	100% Brightness (VLED = 12V)	P _{VLED}	Power Consumption	-	-	TBD	[Watt]	100% Brightness (VLED = 12V)	V _{EN_H}	Enable Input High Level	TBD	-	TBD	[Vot]	VLED_EN	V _{EN_L}	Enable Input Low Level	-	-	TBD	[Vot]	F _{PWM}	Dimming Frequency	TBD	-	TBD	[Hz]	PWM Dimming	V _{PWM_H}	Logic Input High Level	TBD	-	TBD	[Vot]	V _{PWM_L}	Logic Input Low Level	-	-	TBD	[Vot]		Dimming duty cycle	TBD	-	TBD	%	I _f	LED Forward Current	-	60	-	[mA]	Ta = 25°C (Ta=25°C), Note 2	Operation Life		30,000	50,000	-	Hrs	I _f =60mA	<table border="1"> <thead> <tr><th>Symbol</th><th>Parameter</th><th>Min.</th><th>Typ.</th><th>Max.</th><th>Unit</th><th>Remark</th></tr> </thead> <tbody> <tr><td>VLED</td><td>Input Voltage</td><td>10.8</td><td>12</td><td>13.2</td><td>[Vot]</td><td></td></tr> <tr><td>I_{LED}</td><td>Input Current</td><td>-</td><td>-</td><td>TBD</td><td>[mA]</td><td>100% Brightness (VLED = 12V)</td></tr> <tr><td>P_{VLED}</td><td>Power Consumption</td><td>-</td><td>-</td><td>TBD</td><td>[Watt]</td><td>100% Brightness (VLED = 12V)</td></tr> <tr><td>V_{EN_H}</td><td>Enable Input High Level</td><td>2.5</td><td>-</td><td>5.5</td><td>[Vot]</td><td rowspan="2">VLED_EN</td></tr> <tr><td>V_{EN_L}</td><td>Enable Input Low Level</td><td>-</td><td>-</td><td>0.8</td><td>[Vot]</td></tr> <tr><td>F_{PWM}</td><td>Dimming Frequency</td><td>200</td><td>-</td><td>20K</td><td>[Hz]</td><td rowspan="4">PWM Dimming</td></tr> <tr><td>V_{PWM_H}</td><td>Logic Input High Level</td><td>2.5</td><td>-</td><td>5.5</td><td>[Vot]</td></tr> <tr><td>V_{PWM_L}</td><td>Logic Input Low Level</td><td>-</td><td>-</td><td>0.8</td><td>[Vot]</td></tr> <tr><td></td><td>Dimming duty cycle</td><td>5</td><td>-</td><td>100</td><td>%</td></tr> <tr><td>I_f</td><td>LED Forward Current</td><td>-</td><td>60</td><td>-</td><td>[mA]</td><td>Ta = 25°C (Ta=25°C), Note 2</td></tr> <tr><td>Operation Life</td><td></td><td>50,000</td><td>-</td><td>-</td><td>Hrs</td><td>I_f=50mA</td></tr> </tbody> </table>	Symbol	Parameter	Min.	Typ.	Max.	Unit	Remark	VLED	Input Voltage	10.8	12	13.2	[Vot]		I _{LED}	Input Current	-	-	TBD	[mA]	100% Brightness (VLED = 12V)	P _{VLED}	Power Consumption	-	-	TBD	[Watt]	100% Brightness (VLED = 12V)	V _{EN_H}	Enable Input High Level	2.5	-	5.5	[Vot]	VLED_EN	V _{EN_L}	Enable Input Low Level	-	-	0.8	[Vot]	F _{PWM}	Dimming Frequency	200	-	20K	[Hz]	PWM Dimming	V _{PWM_H}	Logic Input High Level	2.5	-	5.5	[Vot]	V _{PWM_L}	Logic Input Low Level	-	-	0.8	[Vot]		Dimming duty cycle	5	-	100	%	I _f	LED Forward Current	-	60	-	[mA]	Ta = 25°C (Ta=25°C), Note 2	Operation Life		50,000	-	-	Hrs	I _f =50mA
Symbol	Parameter	Min.	Typ.	Max.	Unit	Remark																																																																																																																																																												
VLED	Input Voltage	TBD	-	TBD	[Vot]																																																																																																																																																													
I _{LED}	Input Current	-	-	TBD	[mA]	100% Brightness (VLED = 12V)																																																																																																																																																												
P _{VLED}	Power Consumption	-	-	TBD	[Watt]	100% Brightness (VLED = 12V)																																																																																																																																																												
V _{EN_H}	Enable Input High Level	TBD	-	TBD	[Vot]	VLED_EN																																																																																																																																																												
V _{EN_L}	Enable Input Low Level	-	-	TBD	[Vot]																																																																																																																																																													
F _{PWM}	Dimming Frequency	TBD	-	TBD	[Hz]	PWM Dimming																																																																																																																																																												
V _{PWM_H}	Logic Input High Level	TBD	-	TBD	[Vot]																																																																																																																																																													
V _{PWM_L}	Logic Input Low Level	-	-	TBD	[Vot]																																																																																																																																																													
	Dimming duty cycle	TBD	-	TBD	%																																																																																																																																																													
I _f	LED Forward Current	-	60	-	[mA]	Ta = 25°C (Ta=25°C), Note 2																																																																																																																																																												
Operation Life		30,000	50,000	-	Hrs	I _f =60mA																																																																																																																																																												
Symbol	Parameter	Min.	Typ.	Max.	Unit	Remark																																																																																																																																																												
VLED	Input Voltage	10.8	12	13.2	[Vot]																																																																																																																																																													
I _{LED}	Input Current	-	-	TBD	[mA]	100% Brightness (VLED = 12V)																																																																																																																																																												
P _{VLED}	Power Consumption	-	-	TBD	[Watt]	100% Brightness (VLED = 12V)																																																																																																																																																												
V _{EN_H}	Enable Input High Level	2.5	-	5.5	[Vot]	VLED_EN																																																																																																																																																												
V _{EN_L}	Enable Input Low Level	-	-	0.8	[Vot]																																																																																																																																																													
F _{PWM}	Dimming Frequency	200	-	20K	[Hz]	PWM Dimming																																																																																																																																																												
V _{PWM_H}	Logic Input High Level	2.5	-	5.5	[Vot]																																																																																																																																																													
V _{PWM_L}	Logic Input Low Level	-	-	0.8	[Vot]																																																																																																																																																													
	Dimming duty cycle	5	-	100	%																																																																																																																																																													
I _f	LED Forward Current	-	60	-	[mA]	Ta = 25°C (Ta=25°C), Note 2																																																																																																																																																												
Operation Life		50,000	-	-	Hrs	I _f =50mA																																																																																																																																																												
16	<table border="1"> <thead> <tr><th>Connector Name / Designation</th><th>For Signal Connector</th></tr> </thead> <tbody> <tr><td>Manufacturer</td><td>JAE or Compatible</td></tr> <tr><td>Type / Part Number</td><td>JAE HD1S040HA1 or Compatible</td></tr> <tr><td>Mating Housing/Part Number</td><td>IPEX 20453-040T-11or Compatible</td></tr> </tbody> </table> <table border="1"> <tr><td>20</td><td>NC</td><td>No Connection (Reserve)</td></tr> <tr><td>21</td><td>NC</td><td>No Connection (Reserve)</td></tr> </table>	Connector Name / Designation	For Signal Connector	Manufacturer	JAE or Compatible	Type / Part Number	JAE HD1S040HA1 or Compatible	Mating Housing/Part Number	IPEX 20453-040T-11or Compatible	20	NC	No Connection (Reserve)	21	NC	No Connection (Reserve)	<table border="1"> <thead> <tr><th>Connector Name / Designation</th><th>For Signal Connector</th></tr> </thead> <tbody> <tr><td>Manufacturer</td><td>Hirose or Compatible</td></tr> <tr><td>Type / Part Number</td><td>Recommended FFC or FPC described in the datasheet of FH41-40S-0.5SH(0.5)</td></tr> <tr><td>Mating Housing/Part Number</td><td>FH41-40S-0.5SH(0.5)</td></tr> </tbody> </table> <table border="1"> <tr><td>20</td><td>Rin3-</td><td>-LVDS differential data input(B7-B6, G7-G6, R7-R6)</td></tr> <tr><td>21</td><td>Rin3+</td><td>+LVDS differential data input(B7-B6, G7-G6, R7-R6)</td></tr> </table>	Connector Name / Designation	For Signal Connector	Manufacturer	Hirose or Compatible	Type / Part Number	Recommended FFC or FPC described in the datasheet of FH41-40S-0.5SH(0.5)	Mating Housing/Part Number	FH41-40S-0.5SH(0.5)	20	Rin3-	-LVDS differential data input(B7-B6, G7-G6, R7-R6)	21	Rin3+	+LVDS differential data input(B7-B6, G7-G6, R7-R6)																																																																																																																																				
Connector Name / Designation	For Signal Connector																																																																																																																																																																	
Manufacturer	JAE or Compatible																																																																																																																																																																	
Type / Part Number	JAE HD1S040HA1 or Compatible																																																																																																																																																																	
Mating Housing/Part Number	IPEX 20453-040T-11or Compatible																																																																																																																																																																	
20	NC	No Connection (Reserve)																																																																																																																																																																
21	NC	No Connection (Reserve)																																																																																																																																																																
Connector Name / Designation	For Signal Connector																																																																																																																																																																	
Manufacturer	Hirose or Compatible																																																																																																																																																																	
Type / Part Number	Recommended FFC or FPC described in the datasheet of FH41-40S-0.5SH(0.5)																																																																																																																																																																	
Mating Housing/Part Number	FH41-40S-0.5SH(0.5)																																																																																																																																																																	
20	Rin3-	-LVDS differential data input(B7-B6, G7-G6, R7-R6)																																																																																																																																																																
21	Rin3+	+LVDS differential data input(B7-B6, G7-G6, R7-R6)																																																																																																																																																																
17	<table border="1"> <tr><td>23</td><td>NC</td><td>No Connection (Reserve)</td></tr> </table>	23	NC	No Connection (Reserve)	<table border="1"> <tr><td>23</td><td>SEL68</td><td>Selection for either 6bit or 8bit LVDS input. SEL68 = "High" or "NC", accepts 6bit LVDS data input. SEL68 = "Low", accepts 8bit LVDS data input.</td></tr> </table>	23	SEL68	Selection for either 6bit or 8bit LVDS input. SEL68 = "High" or "NC", accepts 6bit LVDS data input. SEL68 = "Low", accepts 8bit LVDS data input.																																																																																																																																																										
23	NC	No Connection (Reserve)																																																																																																																																																																
23	SEL68	Selection for either 6bit or 8bit LVDS input. SEL68 = "High" or "NC", accepts 6bit LVDS data input. SEL68 = "Low", accepts 8bit LVDS data input.																																																																																																																																																																
18	6.3 The Input Data Format: change to support RGB 6-bits + 2-bits dithering																																																																																																																																																																	
19	6.4.1 Timing Characteristics <table border="1"> <thead> <tr><th>Signal</th><th>Symbol</th><th>Min.</th><th>Typ.</th><th>Max.</th><th>Unit</th></tr> </thead> <tbody> <tr><td>Clock Frequency</td><td>1/ T_{clock}</td><td>64</td><td>68.93</td><td>85</td><td>MHz</td></tr> <tr><td rowspan="3">Vertical Section</td><td>Period</td><td>T_V</td><td>808</td><td>816</td><td>1023</td><td rowspan="3">T_{Line}</td></tr> <tr><td>Active</td><td>T_{VD}</td><td></td><td>800</td><td></td></tr> <tr><td>Blanking</td><td>T_{VB}</td><td>8</td><td>16</td><td>223</td></tr> <tr><td rowspan="3">Horizontal Section</td><td>Period</td><td>T_H</td><td>1310</td><td>1408</td><td>2047</td><td rowspan="3">T_{clock}</td></tr> <tr><td>Active</td><td>T_{HD}</td><td></td><td>1280</td><td></td></tr> <tr><td>Blanking</td><td>T_{HB}</td><td>40</td><td>168</td><td>767</td></tr> <tr><td>Frame Rate</td><td>F</td><td>---</td><td>60</td><td>---</td><td>Hz</td></tr> </tbody> </table>		Signal	Symbol	Min.	Typ.	Max.	Unit	Clock Frequency	1/ T _{clock}	64	68.93	85	MHz	Vertical Section	Period	T _V	808	816	1023	T _{Line}	Active	T _{VD}		800		Blanking	T _{VB}	8	16	223	Horizontal Section	Period	T _H	1310	1408	2047	T _{clock}	Active	T _{HD}		1280		Blanking	T _{HB}	40	168	767	Frame Rate	F	---	60	---	Hz	6.4.1 Timing Characteristics <table border="1"> <thead> <tr><th>Signal</th><th>Symbol</th><th>Min.</th><th>Typ.</th><th>Max.</th><th>Unit</th></tr> </thead> <tbody> <tr><td>Clock Frequency</td><td>1/ T_{clock}</td><td>64</td><td>68.93</td><td>85</td><td>MHz</td></tr> <tr><td rowspan="3">Vertical Section</td><td>Period</td><td>T_V</td><td>808</td><td>816</td><td>1023</td><td rowspan="3">T_{Line}</td></tr> <tr><td>Active</td><td>T_{VD}</td><td></td><td>800</td><td></td></tr> <tr><td>Blanking</td><td>T_{VB}</td><td>8</td><td>16</td><td>223</td></tr> <tr><td rowspan="3">Horizontal Section</td><td>Period</td><td>T_H</td><td>1330</td><td>1408</td><td>2047</td><td rowspan="3">T_{clock}</td></tr> <tr><td>Active</td><td>T_{HD}</td><td></td><td>1280</td><td></td></tr> <tr><td>Blanking</td><td>T_{HB}</td><td>50</td><td>128</td><td>767</td></tr> <tr><td>Frame Rate</td><td>F</td><td>---</td><td>60</td><td>---</td><td>Hz</td></tr> </tbody> </table>	Signal	Symbol	Min.	Typ.	Max.	Unit	Clock Frequency	1/ T _{clock}	64	68.93	85	MHz	Vertical Section	Period	T _V	808	816	1023	T _{Line}	Active	T _{VD}		800		Blanking	T _{VB}	8	16	223	Horizontal Section	Period	T _H	1330	1408	2047	T _{clock}	Active	T _{HD}		1280		Blanking	T _{HB}	50	128	767	Frame Rate	F	---	60	---	Hz																																																							
Signal	Symbol	Min.	Typ.	Max.	Unit																																																																																																																																																													
Clock Frequency	1/ T _{clock}	64	68.93	85	MHz																																																																																																																																																													
Vertical Section	Period	T _V	808	816	1023	T _{Line}																																																																																																																																																												
	Active	T _{VD}		800																																																																																																																																																														
	Blanking	T _{VB}	8	16	223																																																																																																																																																													
Horizontal Section	Period	T _H	1310	1408	2047	T _{clock}																																																																																																																																																												
	Active	T _{HD}		1280																																																																																																																																																														
	Blanking	T _{HB}	40	168	767																																																																																																																																																													
Frame Rate	F	---	60	---	Hz																																																																																																																																																													
Signal	Symbol	Min.	Typ.	Max.	Unit																																																																																																																																																													
Clock Frequency	1/ T _{clock}	64	68.93	85	MHz																																																																																																																																																													
Vertical Section	Period	T _V	808	816	1023	T _{Line}																																																																																																																																																												
	Active	T _{VD}		800																																																																																																																																																														
	Blanking	T _{VB}	8	16	223																																																																																																																																																													
Horizontal Section	Period	T _H	1330	1408	2047	T _{clock}																																																																																																																																																												
	Active	T _{HD}		1280																																																																																																																																																														
	Blanking	T _{HB}	50	128	767																																																																																																																																																													
Frame Rate	F	---	60	---	Hz																																																																																																																																																													
21	Hot Storage	70 °C, 300Hr	Hot Storage	80 °C, 300Hr																																																																																																																																																														
22	8.1 LCM Outline Dimension (Front View): TBD modify																																																																																																																																																																	

Version and Date	Page	Old description	New Description																																																																																				
0.1 May, 5, 2015	23	8.2 LCM Outline Dimension (Rear View): TBD modify																																																																																					
	24	9. Label and Packaging: TBD modify																																																																																					
0.2 May, 14, 2015	6	Power Consumption [Watt] TBD max. (Include Logic and Blu power)	Power Consumption [Watt] 6.65 max. (Include Logic and Blu power)																																																																																				
	11	<table border="1"> <thead> <tr> <th>Item</th> <th>Symbol</th> <th>Min</th> <th>Max</th> <th>Unit</th> </tr> </thead> <tbody> <tr> <td>Logio/LCD drive Voltage</td> <td>VDD</td> <td>-0.3</td> <td>+4.0</td> <td>[Volt]</td> </tr> <tr> <td>LCD Input Signal Voltage</td> <td>V_{SIGNAL}</td> <td>-0.3</td> <td>TBD</td> <td>[Volt]</td> </tr> </tbody> </table>	Item	Symbol	Min	Max	Unit	Logio/LCD drive Voltage	VDD	-0.3	+4.0	[Volt]	LCD Input Signal Voltage	V _{SIGNAL}	-0.3	TBD	[Volt]	<table border="1"> <thead> <tr> <th>Item</th> <th>Symbol</th> <th>Min</th> <th>Max</th> <th>Unit</th> </tr> </thead> <tbody> <tr> <td>Logio/LCD drive Voltage</td> <td>VDD</td> <td>-0.3</td> <td>+4.0</td> <td>[Volt]</td> </tr> <tr> <td>LCD Input Signal Voltage</td> <td>V_{SIGNAL}</td> <td>-0.3</td> <td>VDD+0.3</td> <td>[Volt]</td> </tr> </tbody> </table>	Item	Symbol	Min	Max	Unit	Logio/LCD drive Voltage	VDD	-0.3	+4.0	[Volt]	LCD Input Signal Voltage	V _{SIGNAL}	-0.3	VDD+0.3	[Volt]																																																						
	Item	Symbol	Min	Max	Unit																																																																																		
	Logio/LCD drive Voltage	VDD	-0.3	+4.0	[Volt]																																																																																		
	LCD Input Signal Voltage	V _{SIGNAL}	-0.3	TBD	[Volt]																																																																																		
	Item	Symbol	Min	Max	Unit																																																																																		
Logio/LCD drive Voltage	VDD	-0.3	+4.0	[Volt]																																																																																			
LCD Input Signal Voltage	V _{SIGNAL}	-0.3	VDD+0.3	[Volt]																																																																																			
12	<table border="1"> <thead> <tr> <th>Symbol</th> <th>Parameter</th> <th>Min</th> <th>Typ</th> <th>Max</th> <th>Units</th> <th>Remark</th> </tr> </thead> <tbody> <tr> <td>VDD</td> <td>Logio/LCD Drive Voltage</td> <td>3.0</td> <td>3.3</td> <td>3.6</td> <td>[Volt]</td> <td></td> </tr> <tr> <td>IDD</td> <td>VDD Current</td> <td>-</td> <td>TBD</td> <td>TBD</td> <td>[mA]</td> <td>All Black Pattern (VDD=3.3V, at 60Hz)</td> </tr> <tr> <td>Inrush</td> <td>LCD Inrush Current</td> <td>-</td> <td>-</td> <td>1500</td> <td>[mA]</td> <td>Note 1</td> </tr> <tr> <td>PDD</td> <td>VDD Power</td> <td>-</td> <td>TBD</td> <td>TBD</td> <td>[Watt]</td> <td>All Black Pattern (VDD=3.3V, at 60Hz)</td> </tr> <tr> <td>VDDrp</td> <td>Allowable Logio/LCD Drive Ripple Voltage</td> <td>-</td> <td>-</td> <td>100</td> <td>[mV] P-P</td> <td>All Black Pattern (VDD=3.3V, at 60Hz)</td> </tr> </tbody> </table>	Symbol	Parameter	Min	Typ	Max	Units	Remark	VDD	Logio/LCD Drive Voltage	3.0	3.3	3.6	[Volt]		IDD	VDD Current	-	TBD	TBD	[mA]	All Black Pattern (VDD=3.3V, at 60Hz)	Inrush	LCD Inrush Current	-	-	1500	[mA]	Note 1	PDD	VDD Power	-	TBD	TBD	[Watt]	All Black Pattern (VDD=3.3V, at 60Hz)	VDDrp	Allowable Logio/LCD Drive Ripple Voltage	-	-	100	[mV] P-P	All Black Pattern (VDD=3.3V, at 60Hz)	<table border="1"> <thead> <tr> <th>Symbol</th> <th>Parameter</th> <th>Min</th> <th>Typ</th> <th>Max</th> <th>Units</th> <th>Remark</th> </tr> </thead> <tbody> <tr> <td>VDD</td> <td>Logio/LCD Drive Voltage</td> <td>3.0</td> <td>3.3</td> <td>3.6</td> <td>[Volt]</td> <td></td> </tr> <tr> <td>IDD</td> <td>VDD Current</td> <td>-</td> <td>TBD</td> <td>270</td> <td>[mA]</td> <td>All Black Pattern (VDD=3.3V, at 60Hz)</td> </tr> <tr> <td>Inrush</td> <td>LCD Inrush Current</td> <td>-</td> <td>-</td> <td>1500</td> <td>[mA]</td> <td>Note 1</td> </tr> <tr> <td>PDD</td> <td>VDD Power</td> <td>-</td> <td>TBD</td> <td>0.89</td> <td>[Watt]</td> <td>All Black Pattern (VDD=3.3V, at 60Hz)</td> </tr> <tr> <td>VDDrp</td> <td>Allowable Logio/LCD Drive Ripple Voltage</td> <td>-</td> <td>-</td> <td>100</td> <td>[mV] P-P</td> <td>All Black Pattern (VDD=3.3V, at 60Hz)</td> </tr> </tbody> </table>	Symbol	Parameter	Min	Typ	Max	Units	Remark	VDD	Logio/LCD Drive Voltage	3.0	3.3	3.6	[Volt]		IDD	VDD Current	-	TBD	270	[mA]	All Black Pattern (VDD=3.3V, at 60Hz)	Inrush	LCD Inrush Current	-	-	1500	[mA]	Note 1	PDD	VDD Power	-	TBD	0.89	[Watt]	All Black Pattern (VDD=3.3V, at 60Hz)	VDDrp	Allowable Logio/LCD Drive Ripple Voltage	-	-	100	[mV] P-P	All Black Pattern (VDD=3.3V, at 60Hz)	
Symbol	Parameter	Min	Typ	Max	Units	Remark																																																																																	
VDD	Logio/LCD Drive Voltage	3.0	3.3	3.6	[Volt]																																																																																		
IDD	VDD Current	-	TBD	TBD	[mA]	All Black Pattern (VDD=3.3V, at 60Hz)																																																																																	
Inrush	LCD Inrush Current	-	-	1500	[mA]	Note 1																																																																																	
PDD	VDD Power	-	TBD	TBD	[Watt]	All Black Pattern (VDD=3.3V, at 60Hz)																																																																																	
VDDrp	Allowable Logio/LCD Drive Ripple Voltage	-	-	100	[mV] P-P	All Black Pattern (VDD=3.3V, at 60Hz)																																																																																	
Symbol	Parameter	Min	Typ	Max	Units	Remark																																																																																	
VDD	Logio/LCD Drive Voltage	3.0	3.3	3.6	[Volt]																																																																																		
IDD	VDD Current	-	TBD	270	[mA]	All Black Pattern (VDD=3.3V, at 60Hz)																																																																																	
Inrush	LCD Inrush Current	-	-	1500	[mA]	Note 1																																																																																	
PDD	VDD Power	-	TBD	0.89	[Watt]	All Black Pattern (VDD=3.3V, at 60Hz)																																																																																	
VDDrp	Allowable Logio/LCD Drive Ripple Voltage	-	-	100	[mV] P-P	All Black Pattern (VDD=3.3V, at 60Hz)																																																																																	
14	<table border="1"> <thead> <tr> <th>Symbol</th> <th>Parameter</th> <th>Min.</th> <th>Typ.</th> <th>Max.</th> <th>Unit</th> <th>Remark</th> </tr> </thead> <tbody> <tr> <td>VLED</td> <td>Input Voltage</td> <td>10.8</td> <td>12</td> <td>13.2</td> <td>[Volt]</td> <td></td> </tr> <tr> <td>I_{LED}</td> <td>Input Current</td> <td>-</td> <td>-</td> <td>TBD</td> <td>[mA]</td> <td>100% Brightness (VLED = 12V)</td> </tr> <tr> <td>P_{VLED}</td> <td>Power Consumption</td> <td>-</td> <td>-</td> <td>TBD</td> <td>[Watt]</td> <td>100% Brightness (VLED = 12V)</td> </tr> </tbody> </table>	Symbol	Parameter	Min.	Typ.	Max.	Unit	Remark	VLED	Input Voltage	10.8	12	13.2	[Volt]		I _{LED}	Input Current	-	-	TBD	[mA]	100% Brightness (VLED = 12V)	P _{VLED}	Power Consumption	-	-	TBD	[Watt]	100% Brightness (VLED = 12V)	<table border="1"> <thead> <tr> <th>Symbol</th> <th>Parameter</th> <th>Min.</th> <th>Typ.</th> <th>Max.</th> <th>Unit</th> <th>Remark</th> </tr> </thead> <tbody> <tr> <td>VLED</td> <td>Input Voltage</td> <td>10.8</td> <td>12</td> <td>13.2</td> <td>[Volt]</td> <td></td> </tr> <tr> <td>I_{LED}</td> <td>Input Current</td> <td>-</td> <td>-</td> <td>480</td> <td>[mA]</td> <td>100% Brightness (VLED = 12V)</td> </tr> <tr> <td>P_{VLED}</td> <td>Power Consumption</td> <td>-</td> <td>-</td> <td>5.76</td> <td>[Watt]</td> <td>100% Brightness (VLED = 12V)</td> </tr> </tbody> </table>	Symbol	Parameter	Min.	Typ.	Max.	Unit	Remark	VLED	Input Voltage	10.8	12	13.2	[Volt]		I _{LED}	Input Current	-	-	480	[mA]	100% Brightness (VLED = 12V)	P _{VLED}	Power Consumption	-	-	5.76	[Watt]	100% Brightness (VLED = 12V)																													
Symbol	Parameter	Min.	Typ.	Max.	Unit	Remark																																																																																	
VLED	Input Voltage	10.8	12	13.2	[Volt]																																																																																		
I _{LED}	Input Current	-	-	TBD	[mA]	100% Brightness (VLED = 12V)																																																																																	
P _{VLED}	Power Consumption	-	-	TBD	[Watt]	100% Brightness (VLED = 12V)																																																																																	
Symbol	Parameter	Min.	Typ.	Max.	Unit	Remark																																																																																	
VLED	Input Voltage	10.8	12	13.2	[Volt]																																																																																		
I _{LED}	Input Current	-	-	480	[mA]	100% Brightness (VLED = 12V)																																																																																	
P _{VLED}	Power Consumption	-	-	5.76	[Watt]	100% Brightness (VLED = 12V)																																																																																	
22	<p>NOTE: 1. THE INTERFACE CONNECTOR 2. TORQUE OF THE USER HELD SHOULD BE WITHIN THE 10gf-cm AND RE-SCREW IN TIMES. 3. TOLERANCE IS ±0.05mm IF NOT SPECIFIED.</p>	<p>NOTE: 1. THE INTERFACE CONNECTOR 2. TORQUE OF THE USER HELD SHOULD BE WITHIN THE 10gf-cm AND RE-SCREW IN TIMES. 3. TOLERANCE IS ±0.05mm IF NOT SPECIFIED.</p>																																																																																					
23	<p>7.23(Screw hole for grounding) 5.43 8.34(C/W) 7.60(OUTLINE) 59.00±1.00 (200.00) (8.44)</p>	<p>7.23(Screw hole for grounding) 5.43 8.34(C/W) 7.60(OUTLINE) 59.00±1.00 (200.00) (8.44)</p>																																																																																					
0.3 June, 10, 2015	6	Physical Size: [mm]. 229.5(H)x149.1(V)x7.6(T) (without connector).	Physical Size: [mm]. 227.91(H)x148(V)x7.6(T) (without connector).																																																																																				
0.4 Dec. 24, 2015	6	Temperature Range: Operating: [°C] -20 to +80. Storage (Non-Operating): [°C] -30 to +80.	Temperature Range: Operating: [°C] -20 to +70 (Central)- Storage (Non-Operating): [°C] -30 to +80.																																																																																				
	7	<table border="1"> <thead> <tr> <th>Color / Chromaticity-Coordinates (CIE 1931)^a</th> <th>Red x^a</th> <th>TBD.</th> <th>TBD.</th> <th>TBD.</th> </tr> </thead> <tbody> <tr> <td>Red y^a</td> <td>TBD.</td> <td>TBD.</td> <td>TBD.</td> <td>TBD.</td> </tr> <tr> <td>Green x^a</td> <td>TBD.</td> <td>TBD.</td> <td>TBD.</td> <td>TBD.</td> </tr> <tr> <td>Green y^a</td> <td>TBD.</td> <td>TBD.</td> <td>TBD.</td> <td>TBD.</td> </tr> <tr> <td>Blue x^a</td> <td>TBD.</td> <td>TBD.</td> <td>TBD.</td> <td>TBD.</td> </tr> <tr> <td>Blue y^a</td> <td>TBD.</td> <td>TBD.</td> <td>TBD.</td> <td>TBD.</td> </tr> <tr> <td>White x^a</td> <td>TBD.</td> <td>TBD.</td> <td>TBD.</td> <td>TBD.</td> </tr> <tr> <td>White y^a</td> <td>TBD.</td> <td>TBD.</td> <td>TBD.</td> <td>TBD.</td> </tr> </tbody> </table>	Color / Chromaticity-Coordinates (CIE 1931) ^a	Red x ^a	TBD.	TBD.	TBD.	Red y ^a	TBD.	TBD.	TBD.	TBD.	Green x ^a	TBD.	TBD.	TBD.	TBD.	Green y ^a	TBD.	TBD.	TBD.	TBD.	Blue x ^a	TBD.	TBD.	TBD.	TBD.	Blue y ^a	TBD.	TBD.	TBD.	TBD.	White x ^a	TBD.	TBD.	TBD.	TBD.	White y ^a	TBD.	TBD.	TBD.	TBD.	<table border="1"> <thead> <tr> <th>Color / Chromaticity-Coordinates (CIE 1931)^a</th> <th>Red x^a</th> <th>0.549</th> <th>0.579</th> <th>0.609</th> </tr> </thead> <tbody> <tr> <td>Red y^a <td>0.308 <td>0.338 <td>0.368 <td></td> </td></td></td></td></tr> <tr> <td>Green x^a <td>0.295 <td>0.325 <td>0.355 <td></td> </td></td></td></td></tr> <tr> <td>Green y^a <td>0.530 <td>0.56</td> <td>0.590</td> <td></td> </td></td></tr> <tr> <td>Blue x^a <td>0.122 <td>0.152</td> <td>0.182</td> <td></td> </td></td></tr> <tr> <td>Blue y^a <td>0.095 <td>0.125</td> <td>0.155</td> <td></td> </td></td></tr> <tr> <td>White x^a <td>0.263 <td>0.313</td> <td>0.363</td> <td></td> </td></td></tr> <tr> <td>White y^a <td>0.279 <td>0.329</td> <td>0.379</td> <td></td> </td></td></tr> </tbody> </table>	Color / Chromaticity-Coordinates (CIE 1931) ^a	Red x ^a	0.549	0.579	0.609	Red y ^a <td>0.308 <td>0.338 <td>0.368 <td></td> </td></td></td>	0.308 <td>0.338 <td>0.368 <td></td> </td></td>	0.338 <td>0.368 <td></td> </td>	0.368 <td></td>		Green x ^a <td>0.295 <td>0.325 <td>0.355 <td></td> </td></td></td>	0.295 <td>0.325 <td>0.355 <td></td> </td></td>	0.325 <td>0.355 <td></td> </td>	0.355 <td></td>		Green y ^a <td>0.530 <td>0.56</td> <td>0.590</td> <td></td> </td>	0.530 <td>0.56</td> <td>0.590</td> <td></td>	0.56	0.590		Blue x ^a <td>0.122 <td>0.152</td> <td>0.182</td> <td></td> </td>	0.122 <td>0.152</td> <td>0.182</td> <td></td>	0.152	0.182		Blue y ^a <td>0.095 <td>0.125</td> <td>0.155</td> <td></td> </td>	0.095 <td>0.125</td> <td>0.155</td> <td></td>	0.125	0.155		White x ^a <td>0.263 <td>0.313</td> <td>0.363</td> <td></td> </td>	0.263 <td>0.313</td> <td>0.363</td> <td></td>	0.313	0.363		White y ^a <td>0.279 <td>0.329</td> <td>0.379</td> <td></td> </td>	0.279 <td>0.329</td> <td>0.379</td> <td></td>	0.329	0.379					
		Color / Chromaticity-Coordinates (CIE 1931) ^a	Red x ^a	TBD.	TBD.	TBD.																																																																																	
Red y ^a	TBD.	TBD.	TBD.	TBD.																																																																																			
Green x ^a	TBD.	TBD.	TBD.	TBD.																																																																																			
Green y ^a	TBD.	TBD.	TBD.	TBD.																																																																																			
Blue x ^a	TBD.	TBD.	TBD.	TBD.																																																																																			
Blue y ^a	TBD.	TBD.	TBD.	TBD.																																																																																			
White x ^a	TBD.	TBD.	TBD.	TBD.																																																																																			
White y ^a	TBD.	TBD.	TBD.	TBD.																																																																																			
Color / Chromaticity-Coordinates (CIE 1931) ^a	Red x ^a	0.549	0.579	0.609																																																																																			
Red y ^a <td>0.308 <td>0.338 <td>0.368 <td></td> </td></td></td>	0.308 <td>0.338 <td>0.368 <td></td> </td></td>	0.338 <td>0.368 <td></td> </td>	0.368 <td></td>																																																																																				
Green x ^a <td>0.295 <td>0.325 <td>0.355 <td></td> </td></td></td>	0.295 <td>0.325 <td>0.355 <td></td> </td></td>	0.325 <td>0.355 <td></td> </td>	0.355 <td></td>																																																																																				
Green y ^a <td>0.530 <td>0.56</td> <td>0.590</td> <td></td> </td>	0.530 <td>0.56</td> <td>0.590</td> <td></td>	0.56	0.590																																																																																				
Blue x ^a <td>0.122 <td>0.152</td> <td>0.182</td> <td></td> </td>	0.122 <td>0.152</td> <td>0.182</td> <td></td>	0.152	0.182																																																																																				
Blue y ^a <td>0.095 <td>0.125</td> <td>0.155</td> <td></td> </td>	0.095 <td>0.125</td> <td>0.155</td> <td></td>	0.125	0.155																																																																																				
White x ^a <td>0.263 <td>0.313</td> <td>0.363</td> <td></td> </td>	0.263 <td>0.313</td> <td>0.363</td> <td></td>	0.313	0.363																																																																																				
White y ^a <td>0.279 <td>0.329</td> <td>0.379</td> <td></td> </td>	0.279 <td>0.329</td> <td>0.379</td> <td></td>	0.329	0.379																																																																																				
	12	<table border="1"> <thead> <tr> <th>Symbol</th> <th>Parameter</th> <th>Min.</th> <th>Typ.</th> <th>Max.</th> <th>Units</th> <th>Remark</th> </tr> </thead> <tbody> <tr> <td>VDD</td> <td>Logio/LCD Drive Voltage</td> <td>3.0</td> <td>3.3</td> <td>3.6</td> <td>[Volt]</td> <td></td> </tr> <tr> <td>IDD</td> <td>VDD Current</td> <td>-</td> <td>TBD</td> <td>270</td> <td>[mA]</td> <td>All Black Pattern. (VDD=3.3V, at 60Hz).</td> </tr> <tr> <td>Inrush</td> <td>LCD Inrush Current</td> <td>-</td> <td>-</td> <td>1500</td> <td>[mA]</td> <td>Note 1.</td> </tr> <tr> <td>PDD</td> <td>VDD Power</td> <td>-</td> <td>TBD</td> <td>0.89</td> <td>[Watt]</td> <td>All Black Pattern. (VDD=3.3V, at 60Hz).</td> </tr> <tr> <td>VDDrp</td> <td>Allowable Logio/LCD Drive Ripple Voltage</td> <td>-</td> <td>-</td> <td>100</td> <td>[mV] P-P</td> <td>All Black Pattern. (VDD=3.3V, at 60Hz).</td> </tr> </tbody> </table>	Symbol	Parameter	Min.	Typ.	Max.	Units	Remark	VDD	Logio/LCD Drive Voltage	3.0	3.3	3.6	[Volt]		IDD	VDD Current	-	TBD	270	[mA]	All Black Pattern. (VDD=3.3V, at 60Hz).	Inrush	LCD Inrush Current	-	-	1500	[mA]	Note 1.	PDD	VDD Power	-	TBD	0.89	[Watt]	All Black Pattern. (VDD=3.3V, at 60Hz).	VDDrp	Allowable Logio/LCD Drive Ripple Voltage	-	-	100	[mV] P-P	All Black Pattern. (VDD=3.3V, at 60Hz).	<table border="1"> <thead> <tr> <th>Symbol</th> <th>Parameter</th> <th>Min.</th> <th>Typ.</th> <th>Max.</th> <th>Units</th> <th>Remark</th> </tr> </thead> <tbody> <tr> <td>VDD</td> <td>Logio/LCD Drive Voltage</td> <td>3.0</td> <td>3.3</td> <td>3.6</td> <td>[Volt]</td> <td></td> </tr> <tr> <td>IDD</td> <td>VDD Current</td> <td>-</td> <td>192</td> <td>270</td> <td>[mA]</td> <td>All Black Pattern. (VDD=3.3V, at 60Hz).</td> </tr> <tr> <td>Inrush</td> <td>LCD Inrush Current</td> <td>-</td> <td>-</td> <td>1500</td> <td>[mA]</td> <td>Note 1.</td> </tr> <tr> <td>PDD</td> <td>VDD Power</td> <td>-</td> <td>0.63</td> <td>0.89</td> <td>[Watt]</td> <td>All Black Pattern. (VDD=3.3V, at 60Hz).</td> </tr> <tr> <td>VDDrp</td> <td>Allowable Logio/LCD Drive Ripple Voltage</td> <td>-</td> <td>-</td> <td>100</td> <td>[mV] P-P</td> <td>All Black Pattern. (VDD=3.3V, at 60Hz).</td> </tr> </tbody> </table>	Symbol	Parameter	Min.	Typ.	Max.	Units	Remark	VDD	Logio/LCD Drive Voltage	3.0	3.3	3.6	[Volt]		IDD	VDD Current	-	192	270	[mA]	All Black Pattern. (VDD=3.3V, at 60Hz).	Inrush	LCD Inrush Current	-	-	1500	[mA]	Note 1.	PDD	VDD Power	-	0.63	0.89	[Watt]	All Black Pattern. (VDD=3.3V, at 60Hz).	VDDrp	Allowable Logio/LCD Drive Ripple Voltage	-	-	100	[mV] P-P	All Black Pattern. (VDD=3.3V, at 60Hz).
Symbol	Parameter	Min.	Typ.	Max.	Units	Remark																																																																																	
VDD	Logio/LCD Drive Voltage	3.0	3.3	3.6	[Volt]																																																																																		
IDD	VDD Current	-	TBD	270	[mA]	All Black Pattern. (VDD=3.3V, at 60Hz).																																																																																	
Inrush	LCD Inrush Current	-	-	1500	[mA]	Note 1.																																																																																	
PDD	VDD Power	-	TBD	0.89	[Watt]	All Black Pattern. (VDD=3.3V, at 60Hz).																																																																																	
VDDrp	Allowable Logio/LCD Drive Ripple Voltage	-	-	100	[mV] P-P	All Black Pattern. (VDD=3.3V, at 60Hz).																																																																																	
Symbol	Parameter	Min.	Typ.	Max.	Units	Remark																																																																																	
VDD	Logio/LCD Drive Voltage	3.0	3.3	3.6	[Volt]																																																																																		
IDD	VDD Current	-	192	270	[mA]	All Black Pattern. (VDD=3.3V, at 60Hz).																																																																																	
Inrush	LCD Inrush Current	-	-	1500	[mA]	Note 1.																																																																																	
PDD	VDD Power	-	0.63	0.89	[Watt]	All Black Pattern. (VDD=3.3V, at 60Hz).																																																																																	
VDDrp	Allowable Logio/LCD Drive Ripple Voltage	-	-	100	[mV] P-P	All Black Pattern. (VDD=3.3V, at 60Hz).																																																																																	



Product Specification

G101EVN01.2

AU OPTRONICS CORPORATION

15	Symbol	Parameter	Min.	Typ.	Max.	Unit	Remark
	VLED	Input Voltage	10.8	12	13.2	[Volt]	-
	I _{VLED}	Input Current	-	-	480	[mA]	100% Brightness (VLED = 12V)
	P _{VLED}	Power Consumption	-	-	5.76	[Watt]	100% Brightness (VLED = 12V)
	V _{EN_HI}	Enable Input High Level	2.5	-	5.5	[Volt]	VLED_EN
	V _{EN_LO}	Enable Input Low Level	-	-	0.8	[Volt]	
	F _{PWM}	Dimming Frequency	200	-	20K	[Hz]	PWM Dimming
	V _{PWM_HI}	Logic Input High Level	2.5	-	5.5	[Volt]	
	V _{PWM_LO}	Logic Input Low Level	-	-	0.8	[Volt]	
	-	Dimming duty cycle	5	-	100	%	
	I _F	LED Forward Current	-	60	-	[mA]	Ta = 25°C
	Operation Life	-	50,000	-	-	Hrs	(Ta=25°C), Note 2, I _F =50mA
	Symbol	Parameter	Min.	Typ.	Max.	Unit	Remark
	VLED	Input Voltage	10.8	12	13.2	[Volt]	-
	I _{VLED}	Input Current	-	-	480	[mA]	100% Brightness (VLED = 12V)
P _{VLED}	Power Consumption	-	-	5.76	[Watt]	100% Brightness (VLED = 12V)	
V _{EN_HI}	Enable Input High Level	2.5	-	5.5	[Volt]	VLED_EN	
V _{EN_LO}	Enable Input Low Level	-	-	0.8	[Volt]		
F _{PWM}	Dimming Frequency	200	-	20K	[Hz]	PWM Dimming	
V _{PWM_HI}	Logic Input High Level	2.5	-	5.5	[Volt]		
V _{PWM_LO}	Logic Input Low Level	-	-	0.8	[Volt]		
-	Dimming duty cycle	5	-	100	%		
I _F	LED Forward Current	-	45	-	[mA]	Ta = 25°C	
Operation Life	-	50,000	-	-	Hrs	(Ta=25°C), Note 2, I _F =45mA	



1. Operating Precautions

- 1) Since front polarizer is easily damaged, please be cautious and not to scratch it.
- 2) Be sure to turn off power supply when inserting or disconnecting from input connector.
- 3) Wipe off water drop immediately. Long contact with water may cause discoloration or spots.
- 4) When the panel surface is soiled, wipe it with absorbent cotton or soft cloth.
- 5) Since the panel is made of glass, it may be broken or cracked if dropped or bumped on hard surface.
- 6) To avoid ESD (Electro Static Discharge) damage, be sure to ground yourself before handling TFT-LCD Module.
- 7) Do not open nor modify the module assembly.
- 8) Do not press the reflector sheet at the back of the module to any direction.
- 9) In case if a module has to be put back into the packing container slot after it was taken out from the container, do not press the center of the LED light bar edge. Instead, press at the far ends of the LED light bar edge softly. Otherwise the TFT Module may be damaged.
- 10) At the insertion or removal of the Signal Interface Connector, be sure not to rotate nor tilt the Interface Connector of the TFT Module.
- 11) TFT-LCD Module is not allowed to be twisted & bent even force is added on module in a very short time. Please design your display product well to avoid external force applying to module by end-user directly.
- 12) Small amount of materials having no flammability grade is used in the LCD module. The LCD module should be supplied by power complied with requirements of Limited Power Source (IEC60950 or UL1950), or be applied exemption.
- 13) Severe temperature condition may result in different luminance, response time and lamp ignition voltage.
- 14) Continuous operating TFT-LCD display under low temperature environment may accelerate lamp exhaustion and reduce luminance dramatically.
- 15) The data on this specification sheet is applicable when LCD module is placed in landscape position.
- 16) Continuous displaying fixed pattern may induce image sticking. It's recommended to use screen saver or shuffle content periodically if fixed pattern is displayed on the screen.



2. General Description

G101EVN01.2 is a Color Active Matrix Liquid Crystal Display composed of a TFT LCD panel, a driver circuit, and LED backlight system. The screen format is intended to support the 16:10 WXGA, 1280(H) x800(V) screen and 16.2M colors (RGB 6-bits + 2-bits dithering) with LED backlight driving circuit. All input signals are LVDS interface compatible.

2.1 Display Characteristics

The following items are characteristics summary under 25 °C condition:

Items	Unit	Specifications
Screen Diagonal	[inch]	10.1"
Active Area	[mm]	216.96(H) x 135.6(V)
Pixels H x V		1280 x 3(RGB) x 800
Pixel Pitch	[mm]	0.1695 X 0.1695
Pixel Arrangement		R.G.B. Vertical Stripe
Display Mode		MVA, Normally Black
Nominal Input Voltage VDD	[Volt]	3.3 (Typical)
Power Consumption	[Watt]	6.65 max. (Include Logic and Blu power)
Weight	[Grams]	350 g max.
Physical Size	[mm]	227.91(H) x 148(V)x7.6 (T) (without connector)
Electrical Interface		LVDS
Surface Treatment		Anti-Reflection $\leq 1.5\%$, Hardness 3H Anti- Static
Support Color		16.2M (8bits) / 262K colors (6bits)
Temperature Range Operating Storage (Non-Operating)	[°C] [°C]	-20 to +70 (Central) -30 to +80
RoHS Compliance		RoHS Compliance

2.2 Optical Characteristics

The optical characteristics are measured under stable conditions at 25 °C (Room Temperature):

Item	Unit	Conditions	Min.	Typ.	Max.	Note
White Luminance	[cd/m ²]	I _{LED} = 25mA (5p average)	400	500		
Uniformity	%	5 points	70%			
Contrast Ratio			1000	1300	-	
Response Time	[msec]	Rising + Falling	---	25	35	
Viewing Angle	[degree]	Horizontal (Right)	80	85	---	
	[degree]	CR = 10 (Left)	80	85	---	
	[degree]	Vertical (Upper)	80	85	---	
	[degree]	CR = 10 (Lower)	80	85	---	
Color / Chromaticity Coordinates (CIE 1931)		Red x	0.549	0.579	0.609	
		Red y	0.308	0.338	0.368	
		Green x	0.295	0.325	0.355	
		Green y	0.530	0.56	0.590	
		Blue x	0.122	0.152	0.182	
		Blue y	0.095	0.125	0.155	
		White x	0.263	0.313	0.363	
		White y	0.279	0.329	0.379	
Color Gamut	%		-	45	-	

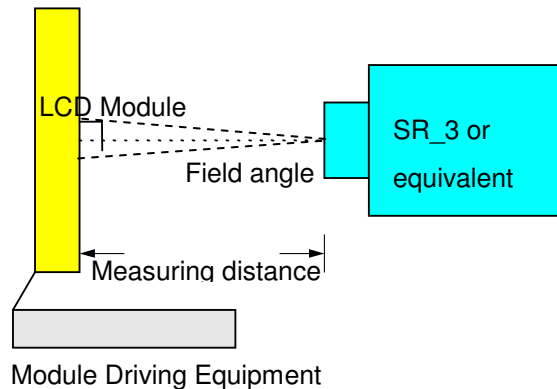
Note 1: Measurement method

Equipment Pattern Generator, Power Supply, Digital Voltmeter, Luminance meter (SR_3 or equivalent)

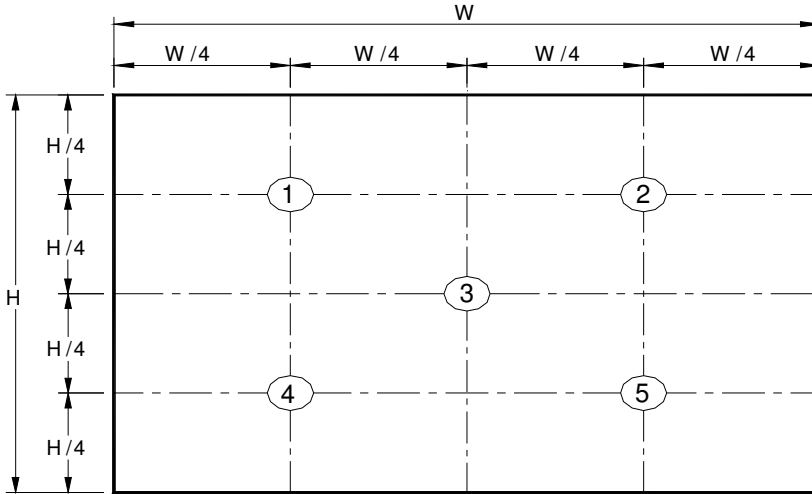
Aperture Field angle 2° with 50cm measuring distance

Test Point Follow Note 2 position

Environment < 1 lux



Note 2: Definition of 5 points position



Note 3: The luminance uniformity of 5 points is defined by dividing the minimum luminance values by the maximum test point luminance

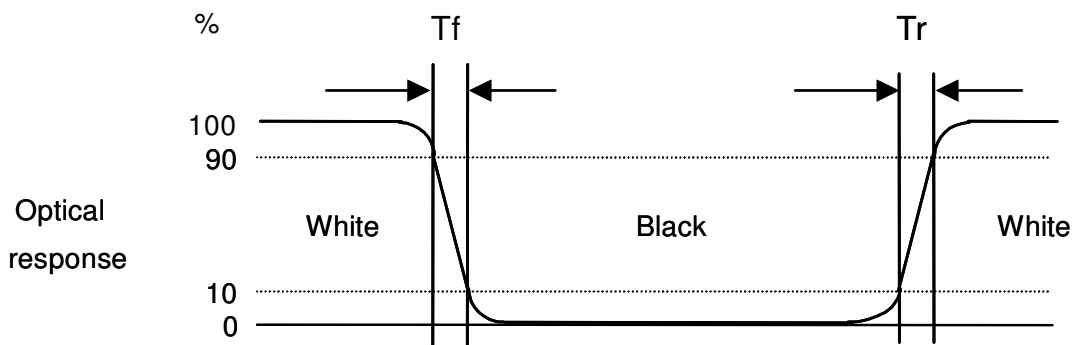
$$\delta_{w9} = \frac{\text{Minimum Brightness of five points}}{\text{Maximum Brightness of five points}}$$

Note 4: Definition of contrast ratio (CR):

$$\text{Contrast ratio (CR)} = \frac{\text{Brightness on the "White" state}}{\text{Brightness on the "Black" state}}$$

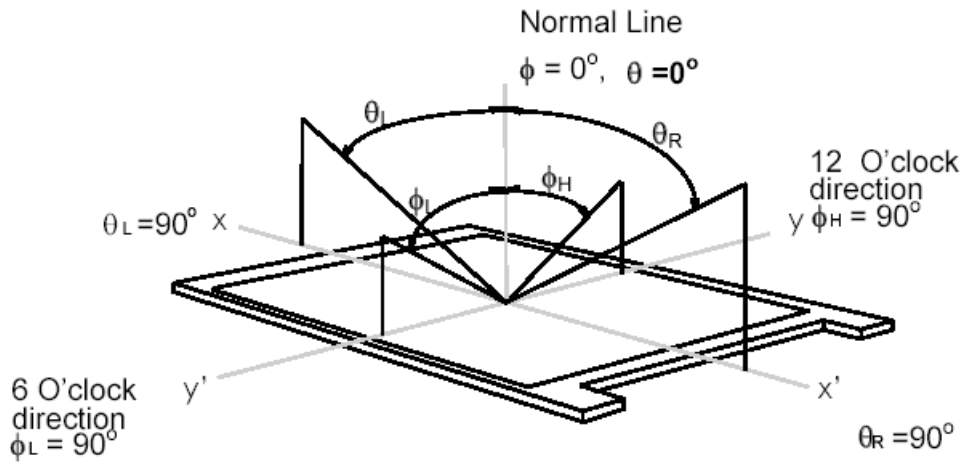
Note 5: Definition of response time:

The output signals of photo detector are measured when the input signals are changed from "White" to "Black" (falling time) and from "Black" to "White" (rising time), respectively. The response time interval is between 10% and 90% of amplitudes. Please refer to the figure as below.



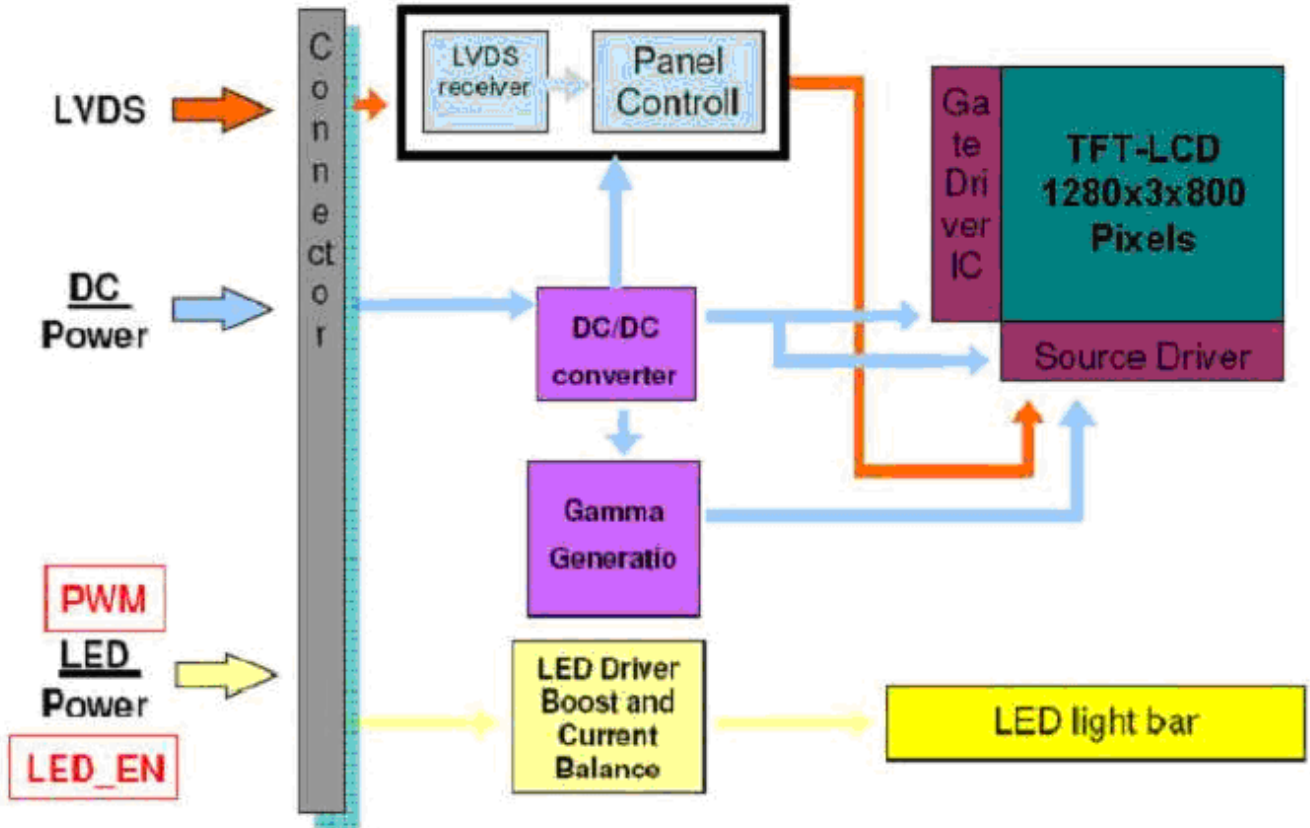
Note 6: Definition of viewing angle

Viewing angle is the measurement of contrast ratio ≥ 10 , at the screen center, over a 180° horizontal and 180° vertical range (off-normal viewing angles). The 180° viewing angle range is broken down as below: 90° (θ) horizontal left and right, and 90° (Φ) vertical high (up) and low (down). The measurement direction is typically perpendicular to the display surface with the screen rotated to its center to develop the desired measurement viewing angle.



3. Functional Block Diagram

The following diagram shows the functional block of the 10.1 inch color TFT/LCD module:



4. Absolute Maximum Ratings

4.1 Absolute Ratings of TFT LCD Module

Item	Symbol	Min	Max	Unit
Logic/LCD drive Voltage	VDD	-0.3	+4.0	[Volt]
LCD Input Signal Voltage	V _{SIGNAL}	-0.3	VDD+0.3	[Volt]
LED BLU Drive Voltage	VLED	-0.3	+15	[Volt]
LED Dimming Input Voltage	VPWM_EN	-0.3	+15	[Volt]
LED Enable Input Voltage	VLED_EN	-0.3	+15	[Volt]

4.2 Absolute Ratings of Environment

Item	Symbol	Min	Max	Unit
Operating Temperature	TOP	-20	+60	[°C]
Operation Humidity	HOP	5	90	[%RH]
Storage Temperature	TST	-30	+80	[°C]
Storage Humidity	HST	5	90	[%RH]

Note 1: At Ta (25°C)

Note 2: Permanent damage to the device may occur if exceed maximum values

5. Electrical Characteristics

5.1 TFT LCD Module

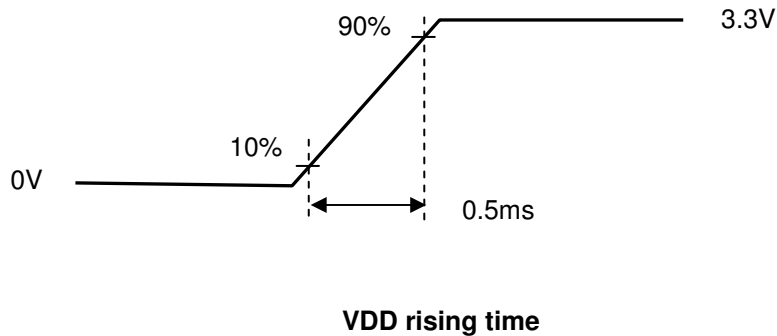
5.1.1 Power Specification

The power specification are measured under 25°C and frame frequency under 60Hz

Symbol	Parameter	Min	Typ	Max	Units	Remark
VDD	Logic/LCD Drive Voltage	3.0	3.3	3.6	[Volt]	
IDD	VDD Current	-	192	270	[mA]	All Black Pattern (VDD=3.3V, at 60Hz)
Irush	LCD Inrush Current	-	-	1500	[mA]	Note 1
PDD	VDD Power	-	0.63	0.89	[Watt]	All Black Pattern (VDD=3.3V, at 60Hz)
VDDrp	Allowable Logic/LCD Drive Ripple Voltage	-	-	100	[mV] p-p	All Black Pattern (VDD=3.3V, at 60Hz)

Note 1 : Maximum Measurement Condition : White Pattern at 3.3V driving voltage. ($P_{max}=V_{3.3} \times I_{white}$)

Note 2 : Measure Condition



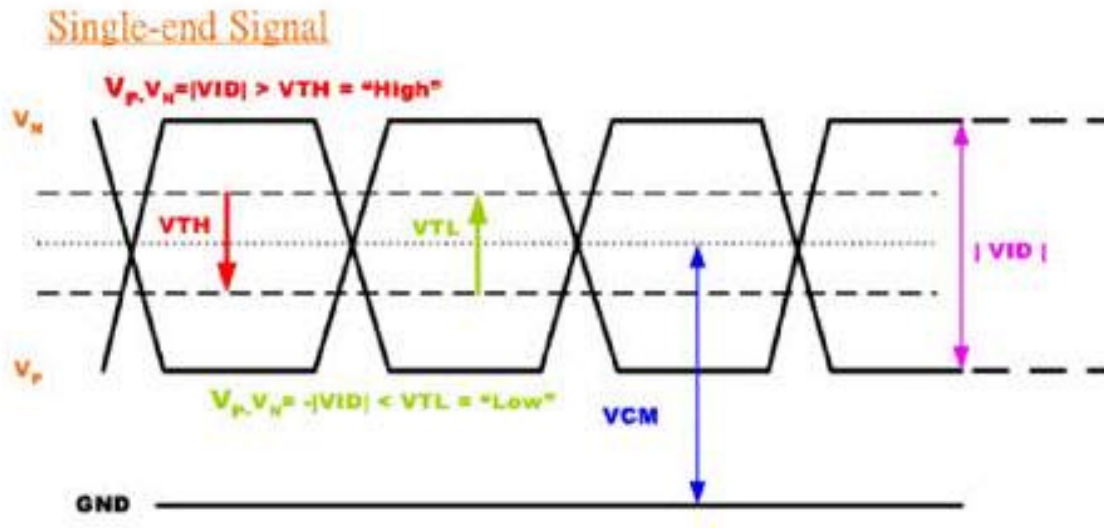
5.1.2 Signal Electrical Characteristics

Input signals shall be low or Hi-Z state when VDD is off.

Signal electrical characteristics are as follows;

Symbol	Item	Min.	Typ.	Max.	Unit	Remark
VTH	Differential Input High Threshold	---		100	[mV]	VCM=1.2V
VTL	Differential Input Low Threshold	-100		----	[mV]	VCM=1.2V
VID	Input Differential Voltage	100		600	[mV]	
VICM	Differential Input Common Mode Voltage	0.7		1.6	[V]	VTH/VTL=+-100mV

Note: LVDS Signal Waveform.



5.2 Backlight Unit

5.2.1 Parameter guideline for LED

Following characteristics are measured under a stable condition using an inverter at 25°C (Room Temperature):

Symbol	Parameter	Min.	Typ.	Max.	Unit	Remark
VLED	Input Voltage	10.8	12	13.2	[Volt]	
I _{VLED}	Input Current	-		480	[mA]	100% Brightness (VLED = 12V)
P _{VLED}	Power Consumption	-	-	5.76	[Watt]	100% Brightness (VLED = 12V)
V _{EN_HI}	Enable Input High Level	2.5	-	5.5	[Volt]	VLED_EN
V _{EN_LO}	Enable Input Low Level	-	-	0.8	[Volt]	
F _{PWM}	Dimming Frequency	200	-	20K	[Hz]	PWM Dimming
V _{PWM_HI}	Logic Input High Level	2.5	-	5.5	[Volt]	
V _{PWM_LO}	Logic Input Low Level	-	-	0.8	[Volt]	
	Dimming duty cycle	5	-	100	%	
I _F	LED Forward Current	-	45	-	[mA]	Ta = 25°C
Operation Life		50,000	-	-	Hrs	(Ta=25°C), Note 2 I _F =45mA

Note 1: Ta means ambient temperature of TFT-LCD module.

Note 2: VLED, I_{VLED}, P_{VLED} are defined for LED backlight.(100% duty of PWM dimming)

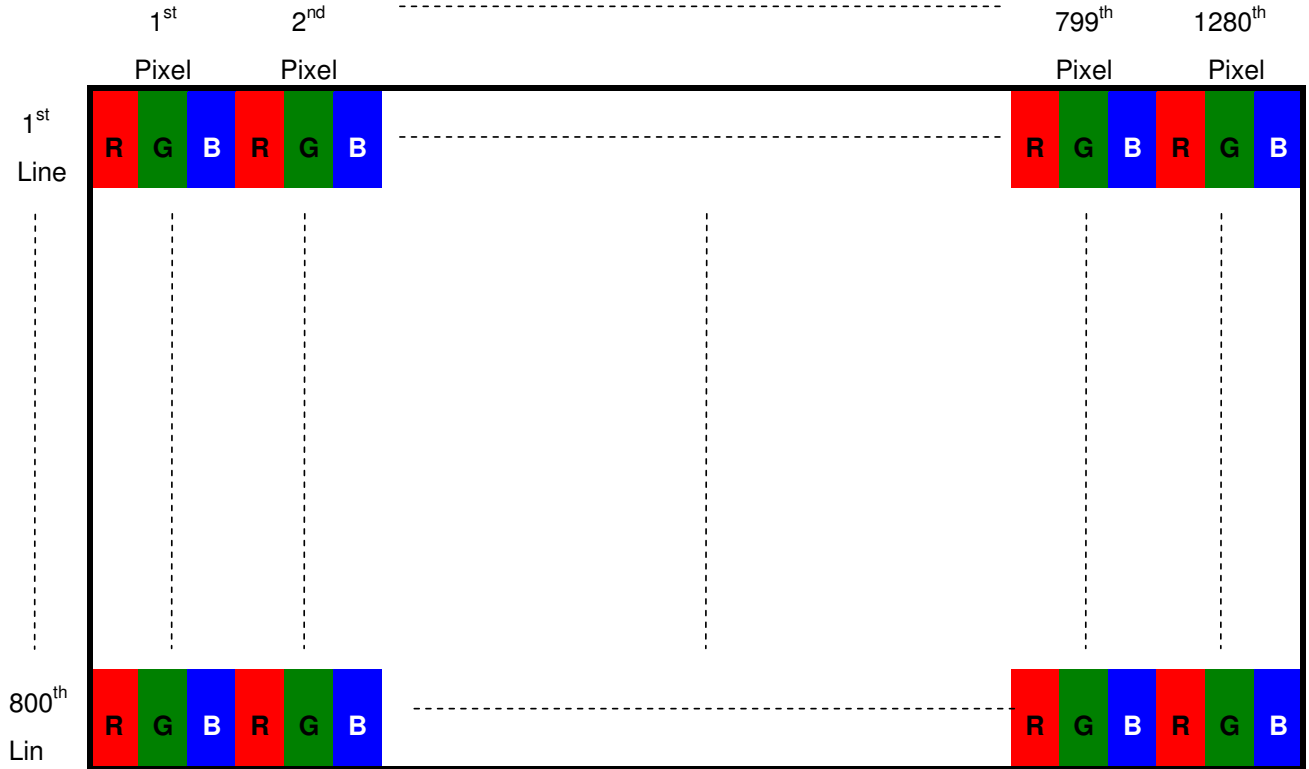
Note 3: If G101EVN0X.X module is driven by high current or at high ambient temperature & humidity condition. The operating life will be reduced.

Note 4: Operating life means brightness goes down to 50% initial brightness. Minimum operating life time is estimated data.

6. Signal Characteristic

6.1 Pixel Format Image

Following figure shows the relationship between input signal and LCD pixel format.



6.2 Signal Description

The module uses a LVDS receiver embedded in AUO's ASIC. LVDS is a differential signal technology for LCD interface and a high-speed data transfer device.

6.2.1 LVDS Connector Description

Physical interface is described as for the connector on module.

These connectors are capable of accommodating the following signals and will be following components.

Connector Name / Designation	For Signal Connector
Manufacturer	Hirose or Compatible
Type / Part Number	Recommended FFC or FPC described in the datasheet of FH41-40S-0.5SH(0.5)
Mating Housing/Part Number	FH41-40S-0.5SH(0.5)

6.2.2 LVDS Pin Assignment

LVDS is a differential signal technology for LCD interface and high speed data transfer device.

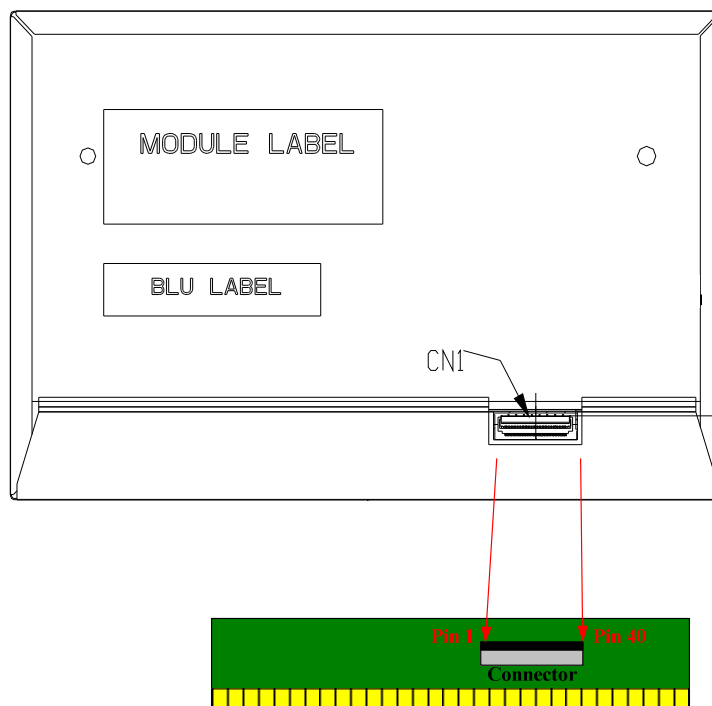
Pin No	Symbol	Function
1	NC	No Connection (Reserve)
2	VDD	Power Supply +3.3V
3	VDD	Power Supply +3.3V
4	VDD	Power Supply +3.3V
5	NC	No Connection (Reserve)
6	NC	No Connection (Reserve)
7	NC	No Connection (Reserve)
8	Rin0-	-LVDS differential data input(R0-R5,G0)
9	Rin0+	+LVDS differential data input(R0-R5,G0)
10	GND	Ground
11	Rin1-	-LVDS differential data input(G1-G5,B0-B1)
12	Rin1+	+LVDS differential data input(G1-G5,B0-B1)
13	GND	Ground
14	Rin2-	-LVDS differential data input(B2-B5,DE)
15	Rin2+	+LVDS differential data input(B2-B5,DE)
16	GND	Ground
17	ClKIN-	-LVDS differential clock input
18	ClKIN+	+LVDS differential clock input
19	GND	Ground–Shield
20	Rin3-	-LVDS differential data input(R6-R7,G6-G7,B6-B7)
21	Rin3+	+LVDS differential data input(R6-R7,G6-G7,B6-B7)
22	GND	Ground–Shield

23	SEL68	Selection for either 6bit or 8bit LVDS input: SEL68 = " High" or "NC", accepts 6bit LVDS data input; SEL68 = " Low", accepts 8bit LVDS data input.
24	NC	No Connection (Reserve)
25	GND	Ground–Shield
26	NC	No Connection (Reserve)
27	NC	No Connection (Reserve)
28	GND	Ground–Shield
29	NC	No Connection (Reserve)
30	NC	No Connection (Reserve)
31	VLED_GND	LED Ground
32	VLED_GND	LED Ground
33	VLED_GND	LED Ground
34	NC	No Connection (Reserve)
35	VPWM_EN	System PWM Logic Input Level
36	VLED_EN	LED enable input level
37	NC	No Connection (Reserve)
38	VLED	LED Power Supply
39	VLED	LED Power Supply
40	VLED	LED Power Supply

Note 1: Input signals shall be low or High-impedance state when VDD is off.

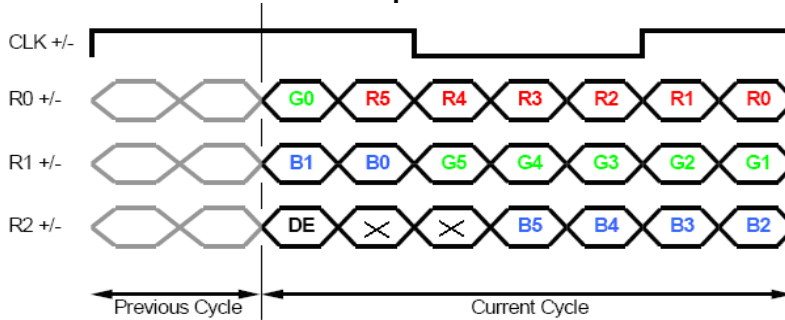
Note 2: High stands for "3.3V", Low stands for "0V", NC means "No Connection".

Note 3: RSV means "Reserved".

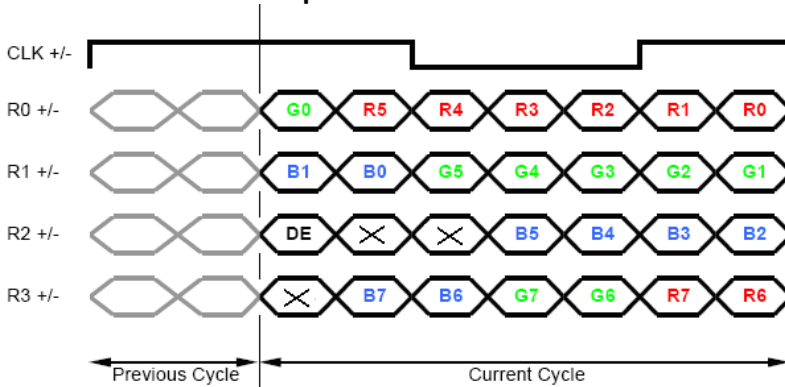


6.3 The Input Data Format

SEL68 = "H" or NC for 6 bits LVDS Input



SEL68 = "L" for 8 bits LVDS Input



Signal Name	Description	
R7	Red Data 7 (MSB)	Red-pixel Data For 8Bits LVDS input MSB: R7 ; LSB: R0 For 6Bits LVDS input MSB: R5 ; LSB: R0
R6	Red Data 6	
R5	Red Data 5	
R4	Red Data 4	
R3	Red Data 3	
R2	Red Data 2	
R1	Red Data 1	
R0	Red Data 0 (LSB)	
G7	Green Data 7 (MSB)	Green-pixel Data For 8Bits LVDS input MSB: R7 ; LSB: R0 For 6Bits LVDS input MSB: R5 ; LSB: R0
G6	Green Data 6	
G5	Green Data 5	
G4	Green Data 4	
G3	Green Data 3	
G2	Green Data 2	
G1	Green Data 1	
G0	Green Data 0 (LSB)	
B7	Blue Data 7 (MSB)	Blue-pixel Data For 8Bits LVDS input MSB: R7 ; LSB: R0 For 6Bits LVDS input MSB: R5 ; LSB: R0
B6	Blue Data 6	
B5	Blue Data 5	
B4	Blue Data 4	
B3	Blue Data 3	
B2	Blue Data 2	
B1	Blue Data 1	
B0	Blue Data 0 (LSB)	
RxCLKIN	Data Clock	The signal is used to strobe the pixel data and DE signals. All pixel data shall be valid at the falling edge when the DE signal is high.
DE	Display Timing	This signal is strobed at the falling edge of RxCLKIN. When the signal is high, the pixel data shall be valid to be displayed.

Note: Output signals from any system shall be low or High-impedance state when VDD is off.

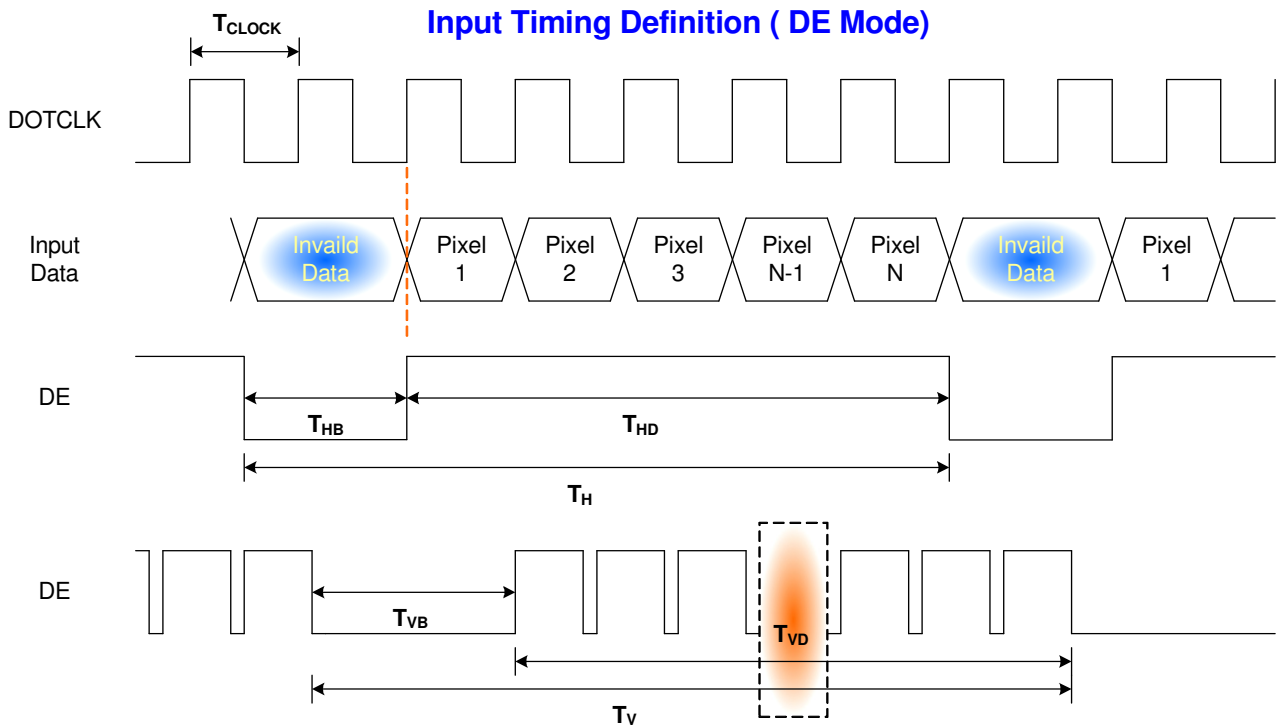
6.4 Interface Timing

6.4.1 Timing Characteristics

Signal	Symbol	Min.	Typ.	Max.	Unit	
Clock Frequency	$1/T_{\text{Clock}}$	64	68.93	85	MHz	
Vertical Section	Period	T_V	808	816	1023	T_{Line}
	Active	T_{VD}	800			
	Blanking	T_{VB}	8	16	223	
Horizontal Section	Period	T_H	1330	1408	2047	T_{Clock}
	Active	T_{HD}	1280			
	Blanking	T_{HB}	50	128	767	
Frame Rate	F	---	60	---	Hz	

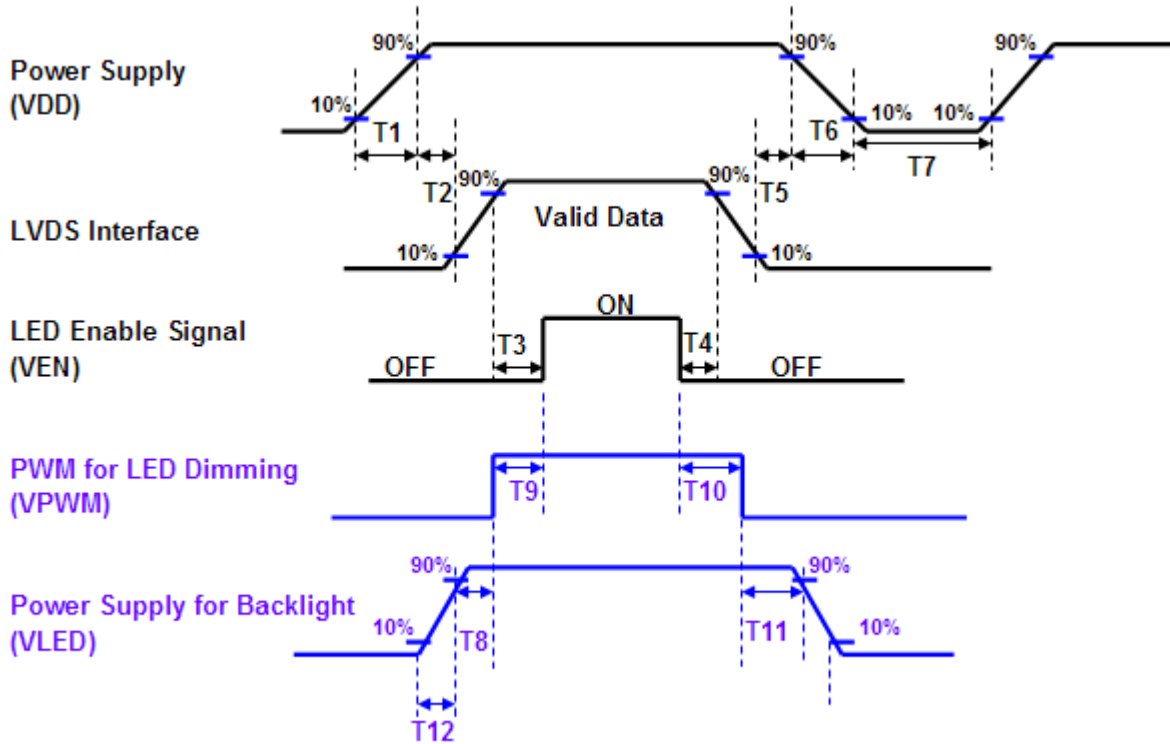
Note : DE mode.

6.4.2 Input Timing Diagram



6.5 Power ON/OFF Sequence

VDD power and lamp on/off sequence is as below. Interface signals are also shown in the chart. Signals from any system shall be Hi-Z state or low level when VDD is off.



Power ON/OFF sequence timing

Parameter	Value			Units
	Min.	Typ.	Max.	
T1	0.5		10	[ms]
T2	0		50	[ms]
T3	200		-	[ms]
T4	200		-	[ms]
T5	0		50	[ms]
T6	0		10	[ms]
T7	500		-	[ms]
T8	10		-	[ms]
T9	0		180	[ms]
T10	0		180	[ms]
T11	10		-	[ms]
T12	0.5		10	[ms]

The above on/off sequence should be applied to avoid abnormal function in the display. Please make sure to turn off the power when you plug the cable into the input connector or pull the cable out of the connector.

7. Reliability Test Criteria

Items	Required Condition	Note
Temperature Humidity Bias	40 °C /90%,300Hr	
High Temperature Operation	60 °C, 300Hr (center point of panel surface)	
Low Temperature Operation	-20 °C, 300Hr	
Hot Storage	80 °C, 300Hr	
Cold Storage	-30 °C, 300Hr	
Thermal Shock Test	-30 °C /30 min , 70 °C /30 min , 20cycles	
Hot Start Test	60 °C /1 Hr min. power on/off per 5 minutes, 5 times	
Cold Start Test	-20 °C /1 Hr min. power on/off per 5 minutes, 5 times	
On/off test	On/10 sec, Off/10 sec, 30,000 cycles	
ESD	Contact : ± 8KV/ operation, Class B Air : ± 15KV / operation, Class B	Note 1

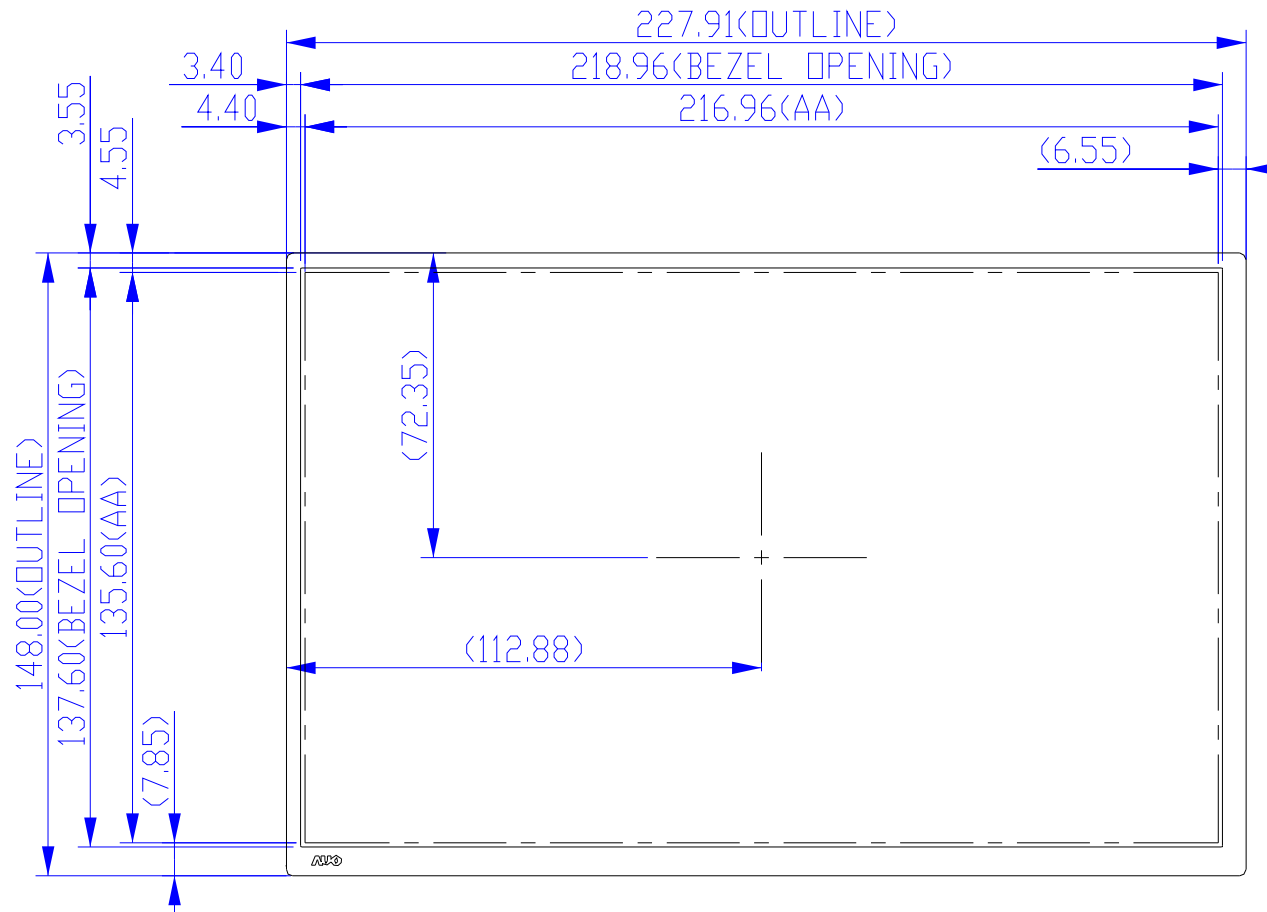
Note1: According to EN61000-4-2 , ESD class B: Some performance degradation allowed. No data lost
 . Self-recoverable. No hardware failures.

Note2:

- Water condensation is not allowed for each test items.
- Each test is done by new TFT-LCD module. Don't use the same TFT-LCD module repeatedly for reliability test.
- The reliability test is performed only to examine the TFT-LCD module capability.
- To inspect TFT-LCD module after reliability test, please store it at room temperature and room humidity for 24 hours at least in advance.

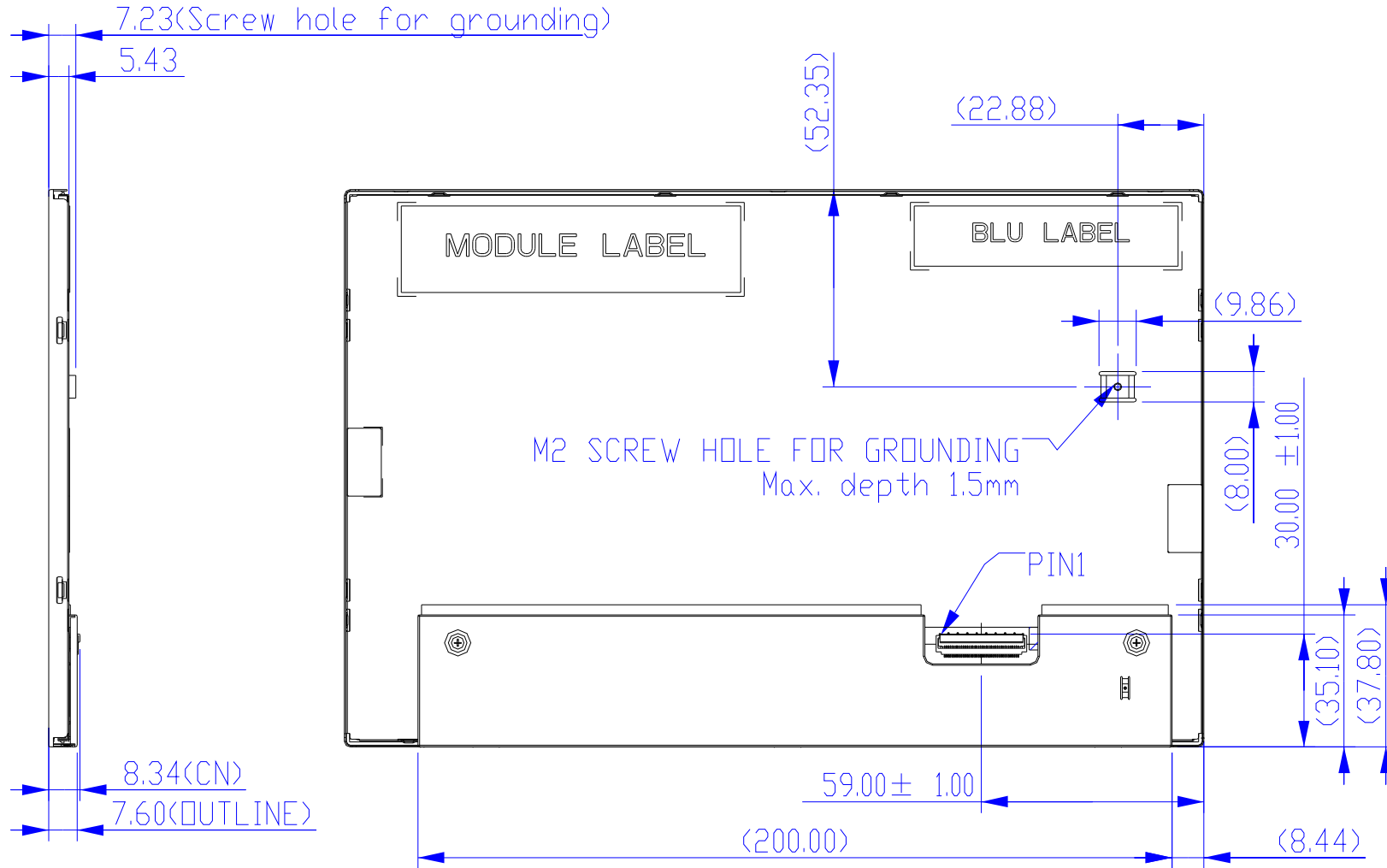
8. Mechanical Characteristics

8.1 LCM Outline Dimension (Front View)



NOTE:
 1.CNI: THE INTERFACE CONNECTOR
 2.TORQUE OF M2 USER HOLE SHOULD BE WITHIN
 TBD kgf-cm AND RE-SCREW 10 TIMES.
 3.TOLERANCE IS $\pm 0.5\text{mm}$ IF NOT SPECIFIED.

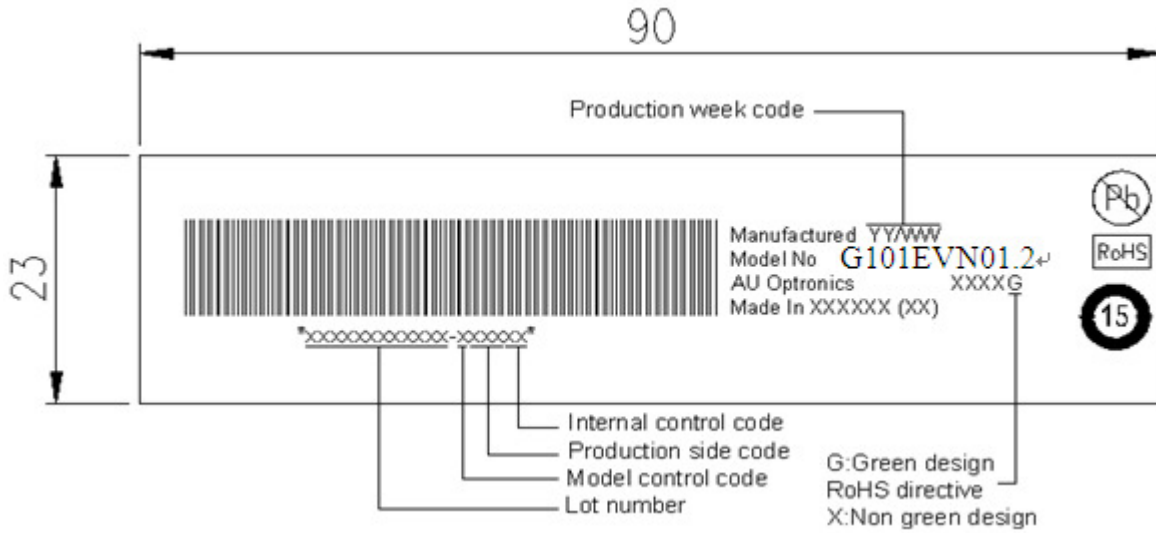
8.2 LCM Outline Dimension (Rear View)



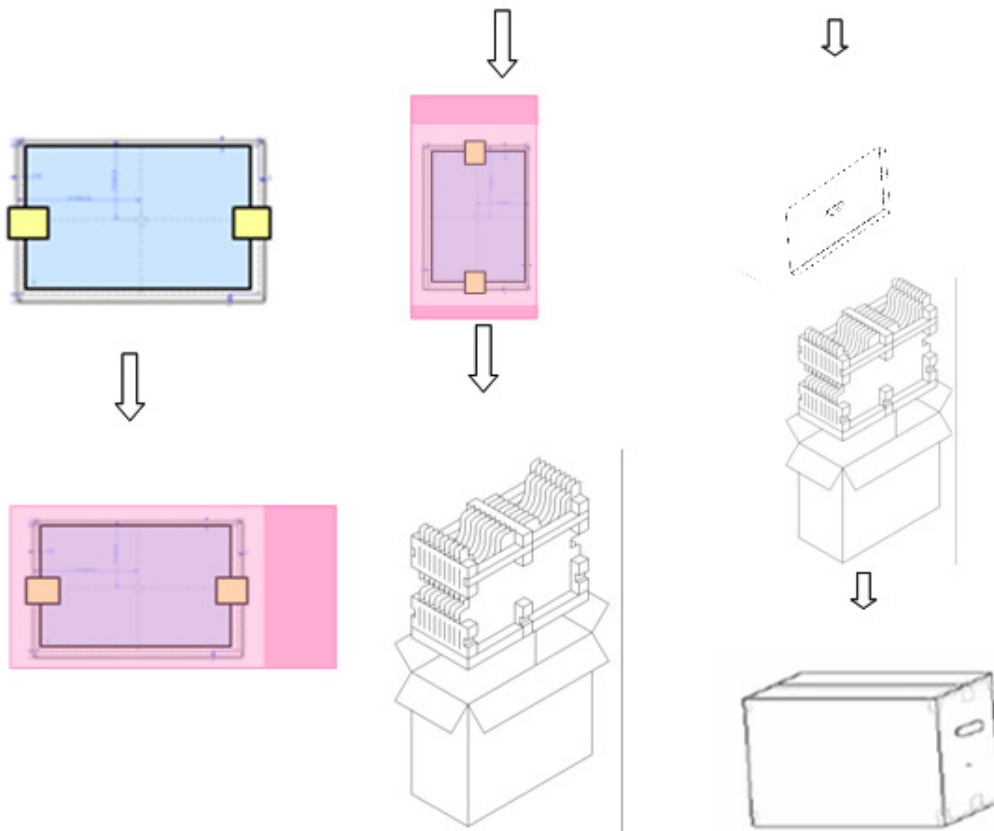
9. Label and Packaging

9.1 Shipping Label (on the rear side of TFT-LCD display)

Shipping label (P/N: 82.17M20.001), 90mm*23mm



9.2 Carton Package



44 pcs/Carton 24Carton/pallet



10 Safety

10.1 Sharp Edge Requirements

There will be no sharp edges or comers on the display assembly that could cause injury.

10.2 Materials

10.2.1 Toxicity

There will be no carcinogenic materials used anywhere in the display module. If toxic materials are used, they will be reviewed and approved by the responsible AUO toxicologist.

10.2.2 Flammability

All components including electrical components that do not meet the flammability grade UL94-V1 in the module will complete the flammability rating exception approval process.

The printed circuit board will be made from material rated 94-V1 or better. The actual UL flammability rating will be printed on the printed circuit board.

10.3 Capacitors

If any polarized capacitors are used in the display assembly, provisions will be made to keep them from being inserted backwards.

10.4 National Test Lab Requirement

The display module will satisfy all requirements for compliance to:

UL 60950-1 second edition

U.S.A. Information Technology Equipment

Our company network supports you worldwide with offices in Germany, Great Britain, Turkey and the USA.
For more information please contact:



DATA DISPLAY GROUP

Distec GmbH

Augsburger Str. 2b
82110 Germering
Germany

Phone: +49 (0)89 / 89 43 63-0
Fax: +49 (0)89 / 89 43 63-131
E-Mail: info@datadisplay-group.de
Internet: www.datadisplay-group.de

Display Technology Ltd.

5 The Oaks Business Village
Revenge Road, Lordswood
Chatham, Kent, ME5 8LF
United Kingdom

Phone: +44 (0)1634 / 67 27 55
Fax: +44 (0)1634 / 67 27 54
E-Mail: info@datadisplay-group.co.uk
Internet: www.datadisplay-group.co.uk

Apollo Display Technologies, Corp.

87 Raynor Avenue, Unit 1 Ronkonkoma, NY
11779
United States of America

Phone: +1 631 / 580-43 60
Fax: +1 631 / 580-43 70
E-Mail: info@datadisplay-group.com
Internet: www.datadisplay-group.com

Sales Partner:

DATA DISPLAY BİLİŞİM TEKNOLOJİLERİ İÇ VE DIŞ TİCARET LİMİTED ŞİRKETİ

Barbaros Mh. Ak Zambak Sk. A Blok D:143
34376 Ataşehir / İstanbul
Turkey

Phone: +90 (0)216 / 688 04 68
Fax: +90 (0)216 / 688 04 69
E-Mail: info@data-display.com.tr
Internet: www.data-display.com.tr