



## SSD3665-I V1

### 36.6" Resizing LCD, 1000 nits LED backlight, 1920 x 290 ultra-wide aspect ratio 16:2.4

The SSD3665-I is a 36.6 inch color TFT-LCD display with special aspect ratio 16:2.4 and wide resolution 1920 x 290. It is Litemax's Spanpixel series product which designed for high brightness 1000 nits with power efficiency LED backlight. It provides LCD panel with specific aspect ratios and sunlight readable for digital signage, public transportation, exhibition hall, department store, and vending machine.

#### Key Features

- Resizing LCD
- Ultra-Wide Screen (16 : 2.4)
- High Brightness 1000 nits
- Sunlight Readable
- LED Backlight
- Low Power Consumption
- Slim Bezel
- BL MTBF: 100,000 hours



### Specifications

Model Name	SSD3665-I V1
Description	36.6" Resizing LCD, 1000 nits LED backlight, 1920x290
Screen Size	36.6"
Display Area (mm)	919.296(H) x 138.8(V)
Brightness	1000 cd/m <sup>2</sup>
Resolution	1920x290
Aspect Ratio	16 : 2.4
Contrast Ratio	7500 : 1
Pixel Pitch (mm)	0.4788(H) x 0.4788(V)
Pixel Per Inch (PPI)	52
Viewing Angle	178°(H),178°(V)
Color Saturation (NTSC)	82%
Display Colors	16.7M
Response Time (Typical)	9.5ms
Video Interface	VGA,DVI-D,HDMI
Input Power	DC12V
Power Consumption	24W
Dimensions (mm)	962.8x 177 x 56.2
Bezel Size(U/B/L/R)	16.6/16.6/19.25/19.25 mm
Weight (Net)	6.3 kg
Mounting	VESA 75x75mm, 400X75mm,
OSD Key	4 Keys (Power Switch, Menu, +, -)
OSD Control	Brightness, Color, Contrast, Auto Turing, H/V Position...etc
Operating Temperature	0 °C ~ 50 °C
Storage Temperature	-20 °C ~ 60 °C
Product Approval	CE,FCC

**SSD= Panel+ LED Driving Board + AD Control Board + Housing**

*Specifications are subject to change without notice.*

*All brands or product names are trademarks or registered trademarks of their respective companies.*



## Mechanical Drawing

### Outline Dimensions

Unit: mm

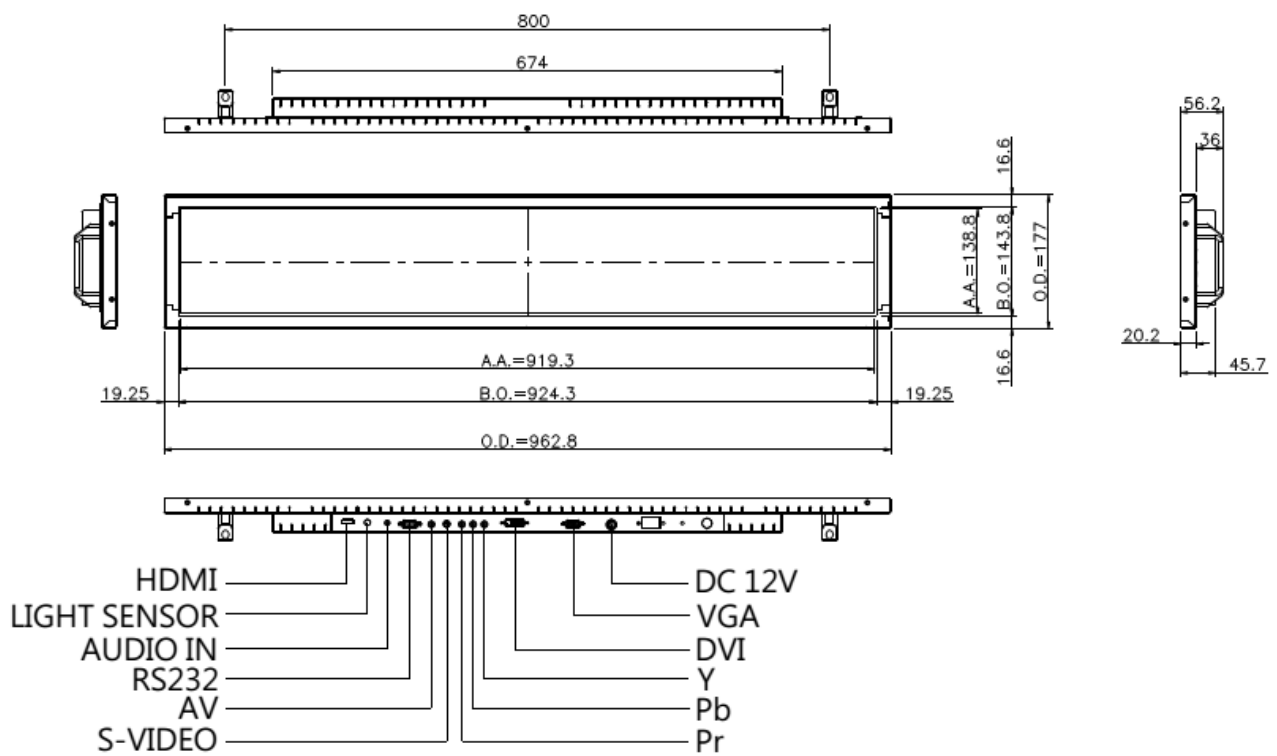
O.D. : Outline Dimension

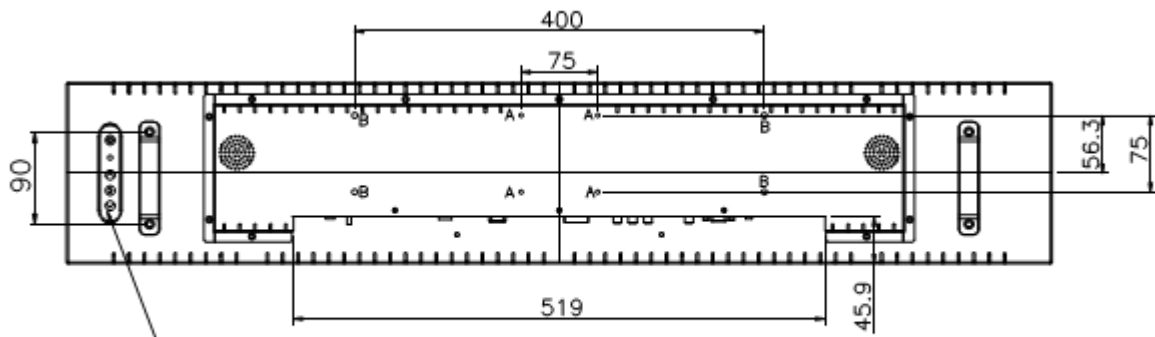
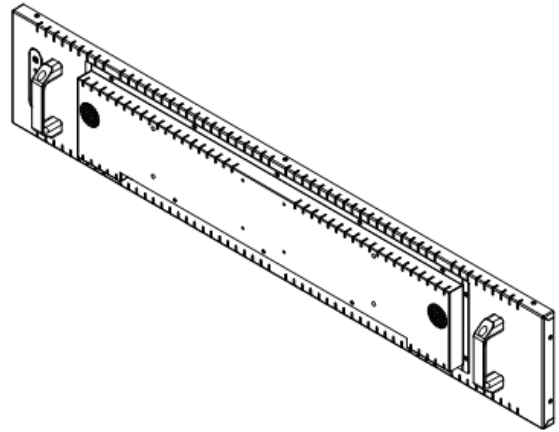
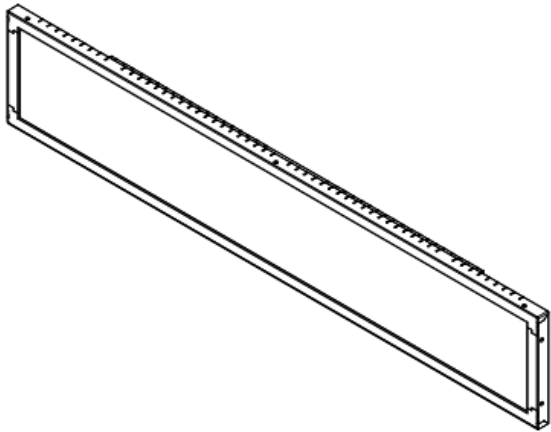
B.O. : Bezel Opening

A.A. : LCD Active Area

A : 4-M4\_USER HOLE\_MAX\_DEPTH=5mm

B : 4-M6\_USER HOLE\_MAX\_DEPTH=5mm





MEMBRANE 4-KEY



**Ordering Information**

Part Number	Description
SSD3665-INB-G21	36.6",1000nits,1920*290,LID36A,AD2662GDHMR,O/B,DC12V,2in1,V1

**Optional Accessories**

Part Number	Description
840612051210	ADAPTER,AC/DC,12V/5.4A,65W,Atech OEM A065112-TDx.4P SLIDING CAP,P
810618301010	CABLE.POWER.AC.1830mm USA type
810618301090	CABLE,POWER,AC,1830mm Europe type
810618301050	CABLE.POWER.AC.1830mm UK type
810618301170	CABLE.POWER,AC,1830mm Australia type
810618301031	CABLE.POWER.AC.1830mm Japan type

**By Customer Request**

Glass	Tempered glass, AR coating.....
-------	---------------------------------