

OUR GLOBAL
COMPETENCE
CENTRES

 APOLLO DISPLAY
TECHNOLOGIES



 DISTEC



 DISPLAY
TECHNOLOGY



Datasheet

AUO

G101EVN01.0

UP-02-096

The information contained in this document has been carefully researched and is, to the best of our knowledge, accurate. However, we assume no liability for any product failures or damages, immediate or consequential, resulting from the use of the information provided herein. Our products are not intended for use in systems in which failures of product could result in personal injury. All trademarks mentioned herein are property of their respective owners. All specifications are subject to change without notice.



- () Preliminary Specifications
- (V) Final Specifications

Module	10.1 Inch Color TFT-LCD
Model Name	G101EVN01.0

Customer	Date
Checked & Approved by	
_____	_____
<p>Note: This Specification is subject to change without notice.</p>	

Approved by	Date
_____ Grace Hung	_____ 2015/07/01
Prepared by	
_____ Ivan Chao	_____ 2015/07/01
<p>General Display Business Division / AU Optronics corporation</p>	

AUO Confidential For DATA_DISPLAY Internal Use Only On 2015/08/20



Contents

1. Operating Precautions	4
2. General Description	5
2.1 Display Characteristics	5
2.2 Optical Characteristics	6
3. Functional Block Diagram	9
4. Absolute Maximum Ratings	10
4.1 Absolute Ratings of TFT LCD Module.....	10
4.2 Absolute Ratings of Environment.....	10
5. Electrical Characteristics	11
5.1 TFT LCD Module	11
5.2 Backlight Unit.....	13
6. Signal Characteristic	14
6.1 Pixel Format Image.....	14
6.3 Signal Description	15
6.4 The Input Data Format.....	17
6.5 Interface Timing	18
6.6 Power ON/OFF Sequence	19
7. Reliability Test Criteria	20
8. Mechanical Characteristics	21
8.1 LCM Outline Dimension (Front View).....	21
8.2 LCM Outline Dimension (Rear View)	22
9. Label and Packaging	23
9.1 Shipping Label (on the rear side of TFT-LCD display).....	23
9.2 Carton Package	23
10 Safety	24
10.1 Sharp Edge Requirements.....	24
10.2 Materials	24
10.3 Capacitors.....	24
10.4 National Test Lab Requirement.....	24



Record of Revision

Version and Date	Page	Old description	New Description																																																																																		
0.0 Mar, 07, 2013	All	First draft specification	-																																																																																		
1.0 May, 14, 2013	--	Final Specification																																																																																			
	5	Typical Power Consumption	Correct the writing mistake.																																																																																		
	13		Add LED Life time 25K (typical)																																																																																		
	5 22 23		Add air tape thickness in module 5.54mm (max.) and update in 2D drawing																																																																																		
	11		Update Power Specification table																																																																																		
		<table border="1"> <thead> <tr> <th>Symbol</th> <th>Parameter</th> <th>Min</th> <th>Typ</th> <th>Max</th> <th>Units</th> </tr> </thead> <tbody> <tr> <td>VDD</td> <td>Logic/LCD Drive Voltage</td> <td>3.0</td> <td>3.3</td> <td>3.6</td> <td>[Volt]</td> </tr> <tr> <td>IDD</td> <td>VDD Current</td> <td>--</td> <td>--</td> <td>245</td> <td>[mA]</td> </tr> <tr> <td>Irush</td> <td>LCD Inrush Current</td> <td>--</td> <td>--</td> <td>2000</td> <td>[A]</td> </tr> <tr> <td>PDD</td> <td>VDD Power</td> <td>--</td> <td>--</td> <td>0.8</td> <td>[Watt]</td> </tr> </tbody> </table>	Symbol	Parameter	Min	Typ	Max	Units	VDD	Logic/LCD Drive Voltage	3.0	3.3	3.6	[Volt]	IDD	VDD Current	--	--	245	[mA]	Irush	LCD Inrush Current	--	--	2000	[A]	PDD	VDD Power	--	--	0.8	[Watt]	<table border="1"> <thead> <tr> <th>Symbol</th> <th>Parameter</th> <th>Min</th> <th>Typ</th> <th>Max</th> <th>Units</th> </tr> </thead> <tbody> <tr> <td>VDD</td> <td>Logic/LCD Drive Voltage</td> <td>3.0</td> <td>3.3</td> <td>3.6</td> <td>[Volt]</td> </tr> <tr> <td>IDD</td> <td>VDD Current</td> <td>--</td> <td>170</td> <td>245</td> <td>[mA]</td> </tr> <tr> <td>Irush</td> <td>LCD Inrush Current</td> <td>--</td> <td>--</td> <td>1500</td> <td>[mA]</td> </tr> <tr> <td>PDD</td> <td>VDD Power</td> <td>--</td> <td>0.56</td> <td>0.8</td> <td>[Watt]</td> </tr> </tbody> </table>	Symbol	Parameter	Min	Typ	Max	Units	VDD	Logic/LCD Drive Voltage	3.0	3.3	3.6	[Volt]	IDD	VDD Current	--	170	245	[mA]	Irush	LCD Inrush Current	--	--	1500	[mA]	PDD	VDD Power	--	0.56	0.8	[Watt]																						
	Symbol	Parameter	Min	Typ	Max	Units																																																																															
	VDD	Logic/LCD Drive Voltage	3.0	3.3	3.6	[Volt]																																																																															
	IDD	VDD Current	--	--	245	[mA]																																																																															
	Irush	LCD Inrush Current	--	--	2000	[A]																																																																															
PDD	VDD Power	--	--	0.8	[Watt]																																																																																
Symbol	Parameter	Min	Typ	Max	Units																																																																																
VDD	Logic/LCD Drive Voltage	3.0	3.3	3.6	[Volt]																																																																																
IDD	VDD Current	--	170	245	[mA]																																																																																
Irush	LCD Inrush Current	--	--	1500	[mA]																																																																																
PDD	VDD Power	--	0.56	0.8	[Watt]																																																																																
13	Note 2: VCC, I _{VCC} , P _{VCC} are defined for LED backlight.	Note 2: VLED, I _{VLED} , P _{VLED} are defined for LED backlight. Add I _{VLED} , P _{VLED} range is under VLED =12V condition.																																																																																			
15		Correct the name of VDD.																																																																																			
	<table border="1"> <thead> <tr> <th>Pin No.</th> <th>Symbol</th> <th>Function</th> </tr> </thead> <tbody> <tr> <td>1</td> <td>NC</td> <td>No Connection (Reserve)</td> </tr> <tr> <td>2</td> <td>AVDD</td> <td>Power Supply +3.3V</td> </tr> <tr> <td>3</td> <td>AVDD</td> <td>Power Supply +3.3V</td> </tr> </tbody> </table>	Pin No.	Symbol	Function	1	NC	No Connection (Reserve)	2	AVDD	Power Supply +3.3V	3	AVDD	Power Supply +3.3V	<table border="1"> <thead> <tr> <th>Pin No.</th> <th>Symbol</th> <th>Function</th> </tr> </thead> <tbody> <tr> <td>1</td> <td>NC</td> <td>No Connection (Reserve)</td> </tr> <tr> <td>2</td> <td>VDD</td> <td>Power Supply +3.3V</td> </tr> <tr> <td>3</td> <td>VDD</td> <td>Power Supply +3.3V</td> </tr> </tbody> </table>	Pin No.	Symbol	Function	1	NC	No Connection (Reserve)	2	VDD	Power Supply +3.3V	3	VDD	Power Supply +3.3V																																																											
Pin No.	Symbol	Function																																																																																			
1	NC	No Connection (Reserve)																																																																																			
2	AVDD	Power Supply +3.3V																																																																																			
3	AVDD	Power Supply +3.3V																																																																																			
Pin No.	Symbol	Function																																																																																			
1	NC	No Connection (Reserve)																																																																																			
2	VDD	Power Supply +3.3V																																																																																			
3	VDD	Power Supply +3.3V																																																																																			
24	Outside dimension of carton: 374mm(L)*320mm(W)*241mm(H) Pallet size : 1140 mm * 980 mm * 135mm	Update Packing Carton Condition Outside dimension of carton: 484(L)*328(W)*257(H)mm Pallet size : 1450mm*980mm*138mm																																																																																			
2.0 July, 10, 2013	13	Old Vled Electrical Charateristics Table	Update Vled Electrical Charateristics Table																																																																																		
		<table border="1"> <thead> <tr> <th>Symbol</th> <th>Parameter</th> <th>Min</th> <th>Typ</th> <th>Max</th> <th>Units</th> </tr> </thead> <tbody> <tr> <td>I_{LED}</td> <td>Input Current</td> <td>--</td> <td>217</td> <td>--</td> <td>[mA]</td> </tr> <tr> <td>P_{VLED}</td> <td>Power Consumption</td> <td>--</td> <td>2.6</td> <td>--</td> <td>[Watt]</td> </tr> <tr> <td>F_{PWM}</td> <td>Dimming Frequency</td> <td>200</td> <td>--</td> <td>20K</td> <td>[Hz]</td> </tr> <tr> <td>Dimming</td> <td>Swing Voltage</td> <td>2.5</td> <td>--</td> <td>5.5</td> <td>[Volt]</td> </tr> </tbody> </table>	Symbol	Parameter	Min	Typ	Max	Units	I _{LED}	Input Current	--	217	--	[mA]	P _{VLED}	Power Consumption	--	2.6	--	[Watt]	F _{PWM}	Dimming Frequency	200	--	20K	[Hz]	Dimming	Swing Voltage	2.5	--	5.5	[Volt]	<table border="1"> <thead> <tr> <th>Symbol</th> <th>Parameter</th> <th>Min</th> <th>Typ</th> <th>Max</th> <th>Units</th> </tr> </thead> <tbody> <tr> <td>I_{LED}</td> <td>Input Current</td> <td>--</td> <td>217</td> <td>--</td> <td>[mA]</td> </tr> <tr> <td>P_{VLED}</td> <td>Power Consumption</td> <td>--</td> <td>2.6</td> <td>--</td> <td>[Watt]</td> </tr> <tr> <td>V_{ENH}</td> <td>Enable Input High Level</td> <td>2.5</td> <td>--</td> <td>5.5</td> <td>[Volt]</td> </tr> <tr> <td>V_{ENL}</td> <td>Enable Input Low Level</td> <td>--</td> <td>--</td> <td>0.8</td> <td>[Volt]</td> </tr> <tr> <td>F_{PWM}</td> <td>Dimming Frequency</td> <td>200</td> <td>--</td> <td>20K</td> <td>[Hz]</td> </tr> <tr> <td>V_{PWJH}</td> <td>Logic Input High Level</td> <td>2.5</td> <td>--</td> <td>5.5</td> <td>[Volt]</td> </tr> <tr> <td>V_{PWJL}</td> <td>Logic Input Low Level</td> <td>--</td> <td>--</td> <td>0.8</td> <td>[Volt]</td> </tr> <tr> <td></td> <td>Dimming duty cycle</td> <td>5</td> <td>--</td> <td>100</td> <td>%</td> </tr> </tbody> </table>	Symbol	Parameter	Min	Typ	Max	Units	I _{LED}	Input Current	--	217	--	[mA]	P _{VLED}	Power Consumption	--	2.6	--	[Watt]	V _{ENH}	Enable Input High Level	2.5	--	5.5	[Volt]	V _{ENL}	Enable Input Low Level	--	--	0.8	[Volt]	F _{PWM}	Dimming Frequency	200	--	20K	[Hz]	V _{PWJH}	Logic Input High Level	2.5	--	5.5	[Volt]	V _{PWJL}	Logic Input Low Level	--	--	0.8	[Volt]		Dimming duty cycle	5	--
Symbol	Parameter	Min	Typ	Max	Units																																																																																
I _{LED}	Input Current	--	217	--	[mA]																																																																																
P _{VLED}	Power Consumption	--	2.6	--	[Watt]																																																																																
F _{PWM}	Dimming Frequency	200	--	20K	[Hz]																																																																																
Dimming	Swing Voltage	2.5	--	5.5	[Volt]																																																																																
Symbol	Parameter	Min	Typ	Max	Units																																																																																
I _{LED}	Input Current	--	217	--	[mA]																																																																																
P _{VLED}	Power Consumption	--	2.6	--	[Watt]																																																																																
V _{ENH}	Enable Input High Level	2.5	--	5.5	[Volt]																																																																																
V _{ENL}	Enable Input Low Level	--	--	0.8	[Volt]																																																																																
F _{PWM}	Dimming Frequency	200	--	20K	[Hz]																																																																																
V _{PWJH}	Logic Input High Level	2.5	--	5.5	[Volt]																																																																																
V _{PWJL}	Logic Input Low Level	--	--	0.8	[Volt]																																																																																
	Dimming duty cycle	5	--	100	%																																																																																
15	Old Pin Assignment.	Update Pin Assignment.																																																																																			
		<table border="1"> <thead> <tr> <th>Pin No.</th> <th>Symbol</th> <th>Function</th> </tr> </thead> <tbody> <tr> <td>4</td> <td>VEDID</td> <td>EDID +3.3V Power</td> </tr> <tr> <td>5</td> <td>NC</td> <td>No Connection (Reserve)</td> </tr> <tr> <td>6</td> <td>CLK_EDID</td> <td>EDID Clock Input</td> </tr> <tr> <td>7</td> <td>DAT_EDID</td> <td>EDID Data Input</td> </tr> </tbody> </table>	Pin No.	Symbol	Function	4	VEDID	EDID +3.3V Power	5	NC	No Connection (Reserve)	6	CLK_EDID	EDID Clock Input	7	DAT_EDID	EDID Data Input																																																																				
Pin No.	Symbol	Function																																																																																			
4	VEDID	EDID +3.3V Power																																																																																			
5	NC	No Connection (Reserve)																																																																																			
6	CLK_EDID	EDID Clock Input																																																																																			
7	DAT_EDID	EDID Data Input																																																																																			
3.0 Feb, 10, 2014	10	Old Absolute Ratings of Environment	Update the range of Absolute Ratings of Environment																																																																																		
		<table border="1"> <thead> <tr> <th>Item</th> <th>Symbol</th> <th>Min</th> <th>Max</th> <th>Unit</th> </tr> </thead> <tbody> <tr> <td>Operating Temperature</td> <td>TOP</td> <td>0</td> <td>+60</td> <td>[°C]</td> </tr> <tr> <td>Operation Humidity</td> <td>HOP</td> <td>5</td> <td>95</td> <td>[%RH]</td> </tr> <tr> <td>Storage Temperature</td> <td>TST</td> <td>-30</td> <td>+70</td> <td>[°C]</td> </tr> <tr> <td>Storage Humidity</td> <td>HST</td> <td>5</td> <td>95</td> <td>[%RH]</td> </tr> </tbody> </table>	Item	Symbol	Min	Max	Unit	Operating Temperature	TOP	0	+60	[°C]	Operation Humidity	HOP	5	95	[%RH]	Storage Temperature	TST	-30	+70	[°C]	Storage Humidity	HST	5	95	[%RH]	<table border="1"> <thead> <tr> <th>Item</th> <th>Symbol</th> <th>Min</th> <th>Max</th> <th>Unit</th> </tr> </thead> <tbody> <tr> <td>Operating Temperature</td> <td>TOP</td> <td>-20</td> <td>+60</td> <td>[°C]</td> </tr> <tr> <td>Operation Humidity</td> <td>HOP</td> <td>5</td> <td>90</td> <td>[%RH]</td> </tr> <tr> <td>Storage Temperature</td> <td>TST</td> <td>-30</td> <td>+70</td> <td>[°C]</td> </tr> <tr> <td>Storage Humidity</td> <td>HST</td> <td>5</td> <td>60</td> <td>[%RH]</td> </tr> </tbody> </table>	Item	Symbol	Min	Max	Unit	Operating Temperature	TOP	-20	+60	[°C]	Operation Humidity	HOP	5	90	[%RH]	Storage Temperature	TST	-30	+70	[°C]	Storage Humidity	HST	5	60	[%RH]																																
Item	Symbol	Min	Max	Unit																																																																																	
Operating Temperature	TOP	0	+60	[°C]																																																																																	
Operation Humidity	HOP	5	95	[%RH]																																																																																	
Storage Temperature	TST	-30	+70	[°C]																																																																																	
Storage Humidity	HST	5	95	[%RH]																																																																																	
Item	Symbol	Min	Max	Unit																																																																																	
Operating Temperature	TOP	-20	+60	[°C]																																																																																	
Operation Humidity	HOP	5	90	[%RH]																																																																																	
Storage Temperature	TST	-30	+70	[°C]																																																																																	
Storage Humidity	HST	5	60	[%RH]																																																																																	
4.0 Jun, 26, 2015	18	Old Timing Characteristics	Update Timing Characteristics																																																																																		
		<table border="1"> <thead> <tr> <th rowspan="3">Horizontal Section</th> <th>Period</th> <th>T_H</th> <th>1310</th> <th>1408</th> <th>2047</th> <th rowspan="3">T_{CLK}</th> </tr> </thead> <tbody> <tr> <td>Active</td> <td>T₁₂</td> <td></td> <td>1280</td> <td></td> <td></td> </tr> <tr> <td>Blanking</td> <td>T₁₀</td> <td>40</td> <td>168</td> <td>767</td> <td></td> </tr> </tbody> </table>	Horizontal Section	Period	T _H	1310	1408	2047	T _{CLK}	Active	T ₁₂		1280			Blanking	T ₁₀	40	168	767		<table border="1"> <thead> <tr> <th rowspan="3">Horizontal Section</th> <th>Period</th> <th>T_H</th> <th>1330</th> <th>1408</th> <th>2047</th> <th rowspan="3">T_{CLK}</th> </tr> </thead> <tbody> <tr> <td>Active</td> <td>T₁₂</td> <td></td> <td>1280</td> <td></td> <td></td> </tr> <tr> <td>Blanking</td> <td>T₁₀</td> <td>60</td> <td>128</td> <td>767</td> <td></td> </tr> </tbody> </table>	Horizontal Section	Period	T _H	1330	1408	2047	T _{CLK}	Active	T ₁₂		1280			Blanking	T ₁₀	60	128	767																																													
Horizontal Section	Period	T _H		1310	1408	2047	T _{CLK}																																																																														
	Active	T ₁₂			1280																																																																																
	Blanking	T ₁₀	40	168	767																																																																																
Horizontal Section	Period	T _H	1330	1408	2047	T _{CLK}																																																																															
	Active	T ₁₂		1280																																																																																	
	Blanking	T ₁₀	60	128	767																																																																																



--	--	--	--

1. Operating Precautions

- 1) Since front polarizer is easily damaged, please be cautious and not to scratch it.
- 2) Be sure to turn off power supply when inserting or disconnecting from input connector.
- 3) Wipe off water drop immediately. Long contact with water may cause discoloration or spots.
- 4) When the panel surface is soiled, wipe it with absorbent cotton or soft cloth.
- 5) Since the panel is made of glass, it may be broken or cracked if dropped or bumped on hard surface.
- 6) To avoid ESD (Electro Static Discharge) damage, be sure to ground yourself before handling TFT-LCD Module.
- 7) Do not open nor modify the module assembly.
- 8) Do not press the reflector sheet at the back of the module to any direction.
- 9) In case if a module has to be put back into the packing container slot after it was taken out from the container, do not press the center of the LED light bar edge. Instead, press at the far ends of the LED light bar edge softly. Otherwise the TFT Module may be damaged.
- 10) At the insertion or removal of the Signal Interface Connector, be sure not to rotate nor tilt the Interface Connector of the TFT Module.
- 11) TFT-LCD Module is not allowed to be twisted & bent even force is added on module in a very short time. Please design your display product well to avoid external force applying to module by end-user directly.
- 12) Small amount of materials having no flammability grade is used in the LCD module. The LCD module should be supplied by power complied with requirements of Limited Power Source (IEC60950 or UL1950), or be applied exemption.
- 13) Severe temperature condition may result in different luminance, response time and lamp ignition voltage.
- 14) Continuous operating TFT-LCD display under low temperature environment may accelerate lamp exhaustion and reduce luminance dramatically.
- 15) The data on this specification sheet is applicable when LCD module is placed in landscape position.
- 16) Continuous displaying fixed pattern may induce image sticking. It's recommended to use screen saver or shuffle content periodically if fixed pattern is displayed on the screen.

AUO Confidential For DATA_DISPLAY Internal Use Only - Provided By pavelkonvalinka On 2015/08/20



2. General Description

G101EVN01.0 is a Color Active Matrix Liquid Crystal Display composed of a TFT LCD panel, a driver circuit, and LED backlight system. The screen format is intended to support the 16:10 WXGA, 1280(H) x800(V) screen and 262k colors (RGB 6-bits data driver) with LED backlight driving circuit. All input signals are LVDS interface compatible.

G101EVN01.0 is designed for a display unit of notebook style personal computer and industrial machine.

2.1 Display Characteristics

The following items are characteristics summary on the table under 25 °C condition:

Items	Unit	Specifications
Screen Diagonal	[inch]	10.1"
Active Area	[mm]	216.96(H) x 135.6(V)
Pixels H x V		1280 x 3(RGB) x 800
Pixel Pitch	[mm]	0.1695 X 0.1695
Pixel Arrangement		R.G.B. Vertical Stripe
Display Mode		MVA, Normally Black
Nominal Input Voltage VDD	[Volt]	3.3 (Typical)
Power Consumption	[Watt]	3.4 max. (Include Logic and Blu power)
Weight	[Grams]	187g max.
Physical Size	[mm]	229.46±0.5(H) x 149.2±0.5(V) x 4.96(max.)(T) (without air tape) /5.54(max.)(T) (with air tape)
Electrical Interface		LVDS
Surface Treatment		Anti-Reflection 1.5%, Hardness 3H Anti-Static
Support Color		262K colors (RGB 6-bit)
Temperature Range		
Operating	[°C]	-20 to +60
Storage (Non-Operating)	[°C]	-30 to +70
RoHS Compliance		RoHS Compliance

2.2 Optical Characteristics

The optical characteristics are measured under stable conditions at 25°C (Room Temperature):

Item	Unit	Conditions	Min.	Typ.	Max.	Note
White Luminance	[cd/m ²]	I _{LED} = 25mA (5p average)	255	300		
Uniformity	%	5 points	80%			
Contrast Ratio			1000	1300	-	
Response Time	[msec]	Rising				
	[msec]	Falling				
	[msec]	Rising + Falling	---	25	35	
Viewing Angle	[degree]	Horizontal (Right) CR = 10 (Left)	80	85	---	
	[degree]		80	85	---	
	[degree]	Vertical (Upper) CR = 10 (Lower)	80	85	---	
	[degree]		80	85	---	
Color / Chromaticity Coordinates (CIE 1931)		Red x	0.549	0.579	0.609	
		Red y	0.308	0.338	0.368	
		Green x	0.295	0.325	0.355	
		Green y	0.53	0.56	0.59	
		Blue x	0.122	0.152	0.182	
		Blue y	0.095	0.125	0.155	
		White x	0.283	0.313	0.343	
		White y	0.299	0.329	0.359	
Color Gamut	%		-	45	-	

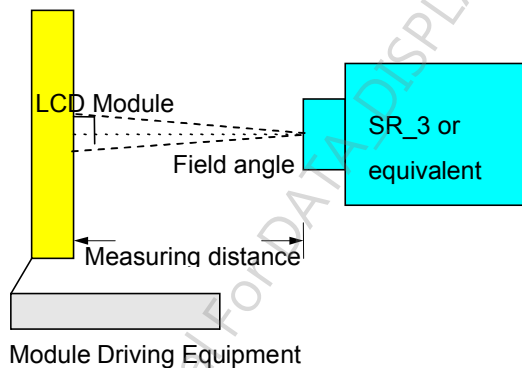
Note 1: Measurement method

Equipment Pattern Generator, Power Supply, Digital Voltmeter, Luminance meter (SR_3 or equivalent)

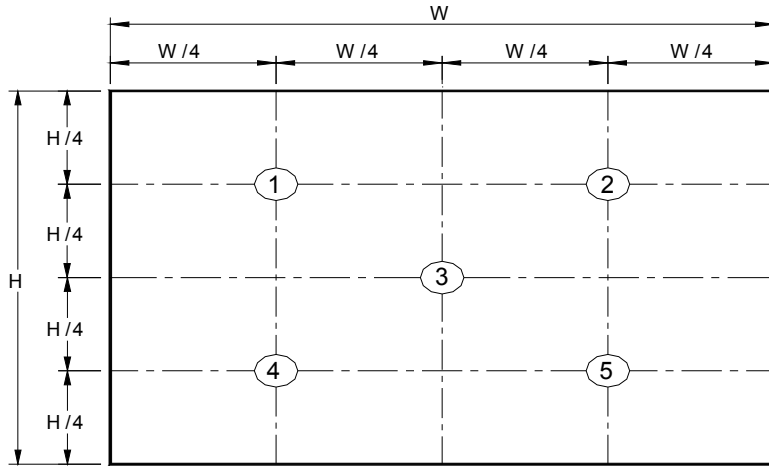
Aperture Field angle 2° with 50cm measuring distance

Test Point Follow Note 2 position

Environment < 1 lux



Note 2: Definition of 5 points position (Display active area: 216.96(H) x 135.6(V))



Note 3: The luminance uniformity of 5 points is defined by dividing the minimum luminance values by the maximum test point luminance

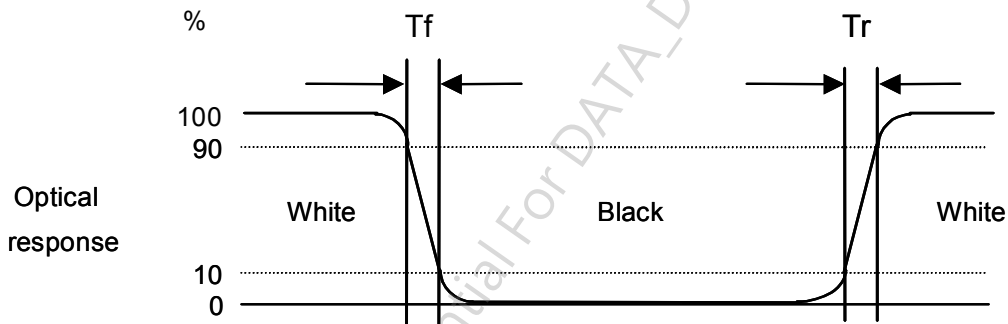
$$w_9 = \frac{\text{Minimum Brightness of five points}}{\text{Maximum Brightness of five points}}$$

Note 4: Definition of contrast ratio (CR):

$$\text{Contrast ratio (CR)} = \frac{\text{Brightness on the "White" state}}{\text{Brightness on the "Black" state}}$$

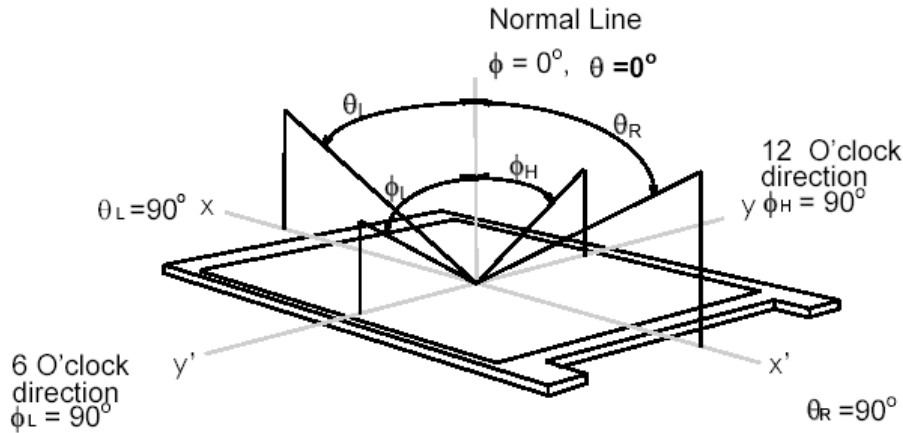
Note 5: Definition of response time:

The output signals of photo detector are measured when the input signals are changed from "White" to "Black" (falling time) and from "Black" to "White" (rising time), respectively. The response time interval is between 10% and 90% of amplitudes. Please refer to the figure as below.



Note 6: Definition of viewing angle

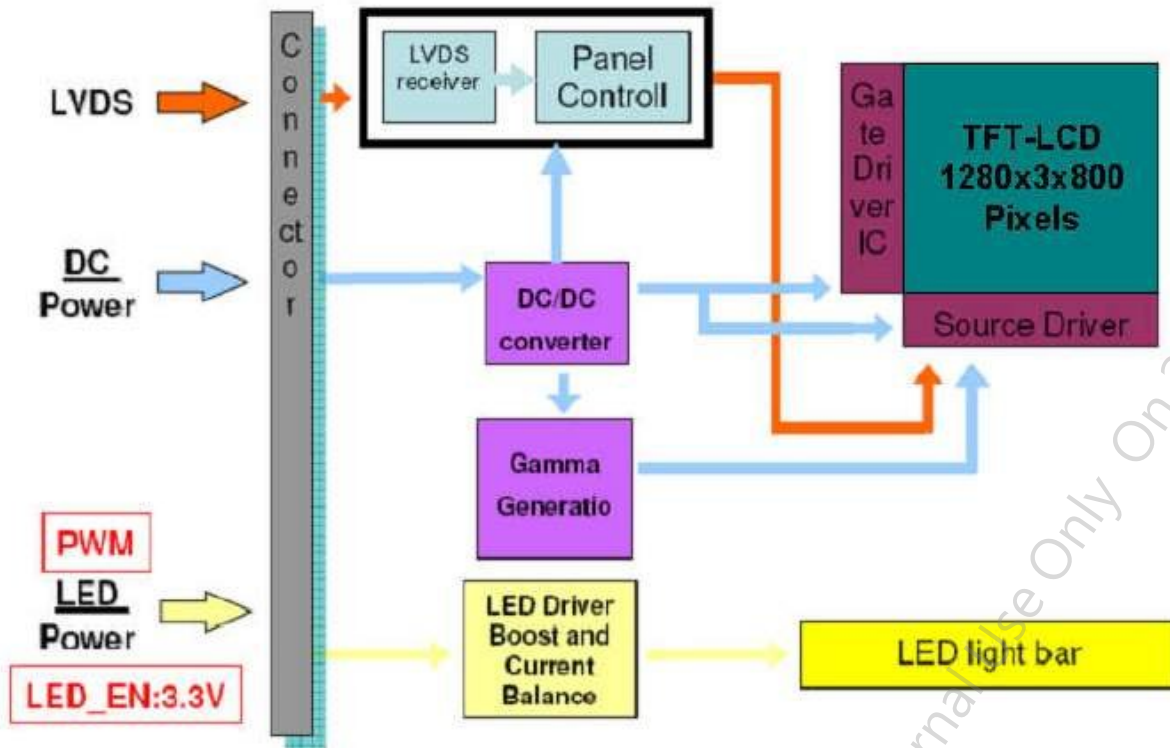
Viewing angle is the measurement of contrast ratio 10, at the screen center, over a 180° horizontal and 180° vertical range (off-normal viewing angles). The 180° viewing angle range is broken down as below: 90° (θ) horizontal left and right, and 90° (Φ) vertical high (up) and low (down). The measurement direction is typically perpendicular to the display surface with the screen rotated to its center to develop the desired measurement viewing angle.



AUO Confidential For DATA_DISPLAY Internal Use Only On 2015/08/20

3. Functional Block Diagram

The following diagram shows the functional block of the 10.1 inch color TFT/LCD module:



AUO Confidential For DATA_DISPLAY Internal Use Only On 2015/08/20

4. Absolute Maximum Ratings

4.1 Absolute Ratings of TFT LCD Module

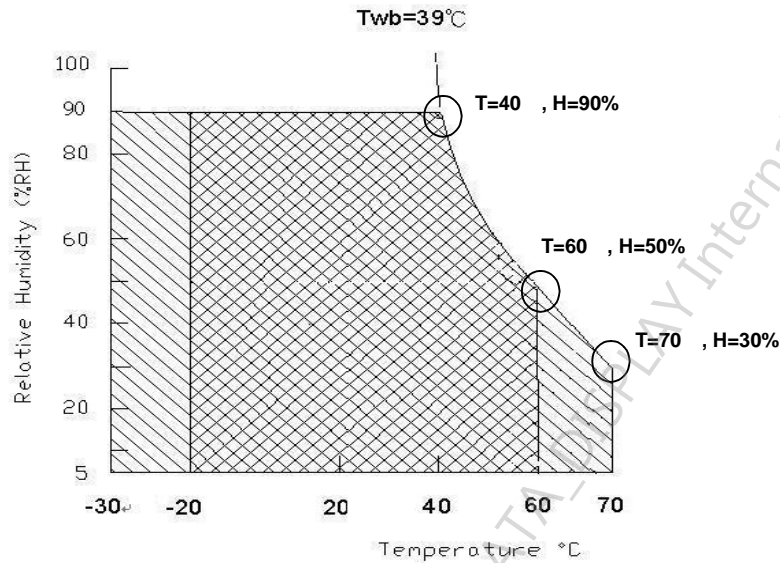
Item	Symbol	Min	Max	Unit
Logic/LCD drive Voltage	Vin	-0.3	+4.0	[Volt]

4.2 Absolute Ratings of Environment

Item	Symbol	Min	Max	Unit
Operating Temperature	TOP	-20	+60	[°C]
Operation Humidity	HOP	5	90	[%RH]
Storage Temperature	TST	-30	+70	[°C]
Storage Humidity	HST	5	90	[%RH]

Note 1: At Ta (25)

Note 2: Permanent damage to the device may occur if exceed maximum values



Operating Range

Storage Range

+

5. Electrical Characteristics

5.1 TFT LCD Module

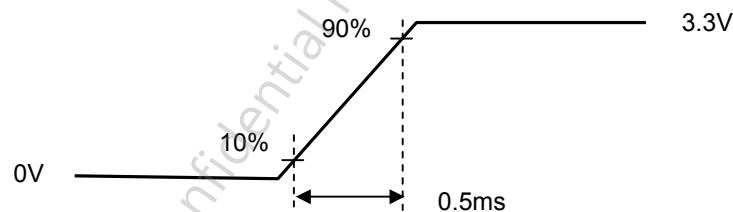
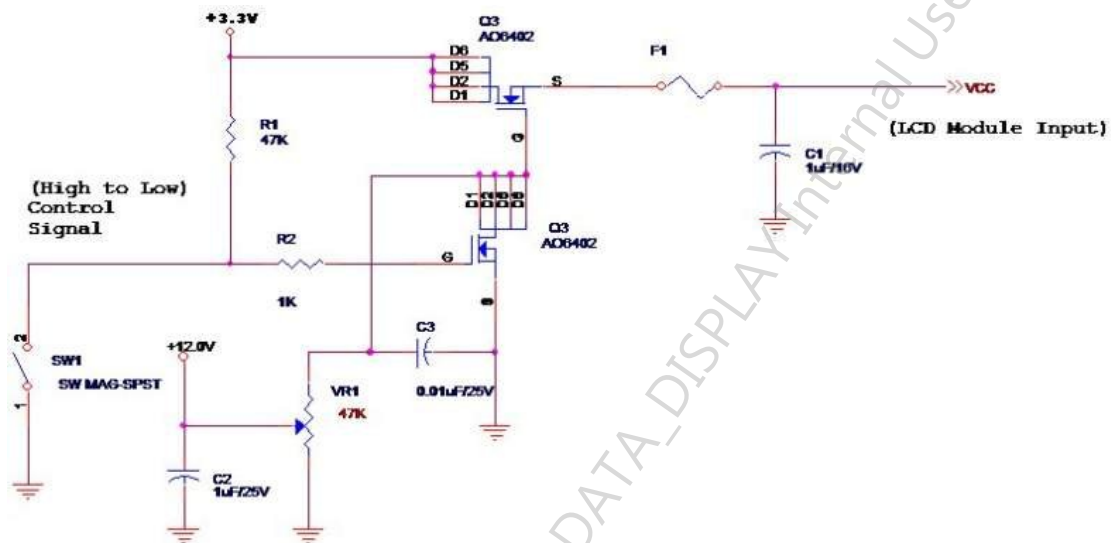
5.1.1 Power Specification

The power specification are measured under 25 °C and frame frequency under 60Hz

Symbol	Parameter	Min	Typ	Max	Units	Remark
VDD	Logic/LCD Drive Voltage	3.0	3.3	3.6	[Volt]	
IDD	VDD Current	-	170	245	[mA]	All Black Pattern (VDD=3.3V, at 60Hz)
Irush	LCD Inrush Current	-	-	1500	[mA]	Note 1
PDD	VDD Power	-	0.56	0.8	[Watt]	All Black Pattern (VDD=3.3V, at 60Hz)
VDDrp	Allowable Logic/LCD Drive Ripple Voltage	-	-	100	[mV] p-p	All Black Pattern (VDD=3.3V, at 60Hz)

Note 1 : Maximum Measurement Condition : White Pattern at 3.3V driving voltage. ($P_{max} = V_{3.3} \times I_{white}$)

Note 2 : Measure Condition



VDD rising time

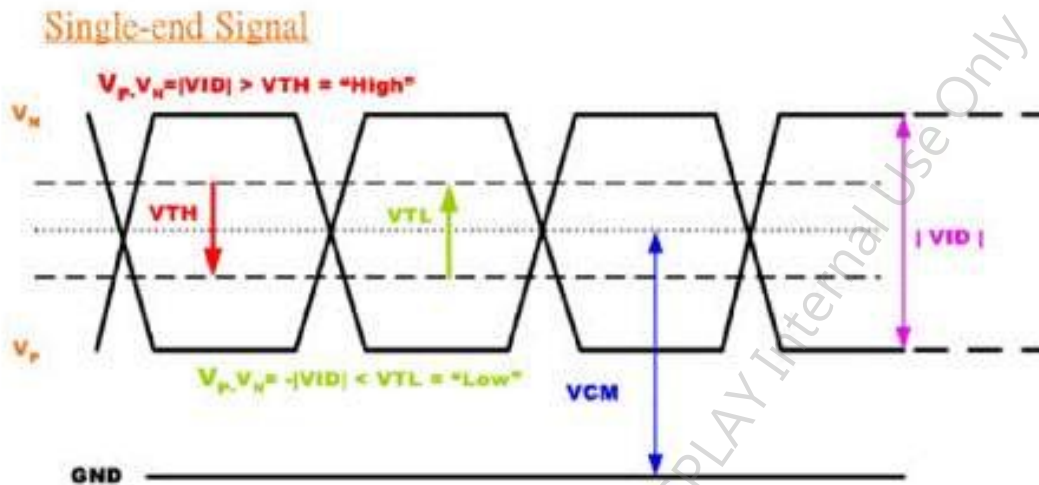
5.1.2 Signal Electrical Characteristics

Input signals shall be low or Hi-Z state when VDD is off.

Signal electrical characteristics are as follows;

Symbol	Item	Min.	Typ.	Max.	Unit	Remark
VTH	Differential Input High Threshold	---		100	[mV]	VCM=1.2V
VTL	Differential Input Low Threshold	-100		----	[mV]	VCM=1.2V
VID	Input Differential Voltage	100		600	[mV]	
VICM	Differential Input Common Mode Voltage	1.125		1.375	[V]	VTH/VTL=+-100mV

Note: LVDS Signal Waveform.



5.2 Backlight Unit

5.2.1 Parameter guideline for LED

Following characteristics are measured under a stable condition using an inverter at 25 (Room Temperature):

Symbol	Parameter	Min.	Typ.	Max.	Unit	Remark
VLED	Input Voltage	5.5	-	12	[Volt]	
I _{VLED}	Input Current	-		217	[mA]	100% Brightness (VLED = 12V)
P _{VLED}	Power Consumption	-	-	2.6	[Watt]	100% Brightness (VLED = 12V)
V _{EN_HI}	Enable Input High Level	2.5	-	5.5	[Volt]	VLED_EN
V _{EN_LO}	Enable Input Low Level	-	-	0.8	[Volt]	
F _{PWM}	Dimming Frequency	200	-	20K	[Hz]	PWM Dimming
V _{PWM_HI}	Logic Input High Level	2.5	-	5.5	[Volt]	
V _{PWM_LO}	Logic Input Low Level	-	-	0.8	[Volt]	
	Dimming duty cycle	5	-	100	%	
I _F	LED Forward Current	-	22	-	[mA]	Ta = 25°C (Ta=25), Note 2
Operation Life		15,000	25,000	-	Hrs	I _F =19mA

Note 1: Ta means ambient temperature of TFT-LCD module.

Note 2: VLED, I_{VLED}, P_{VLED} are defined for LED backlight.(100% duty of PWM dimming)

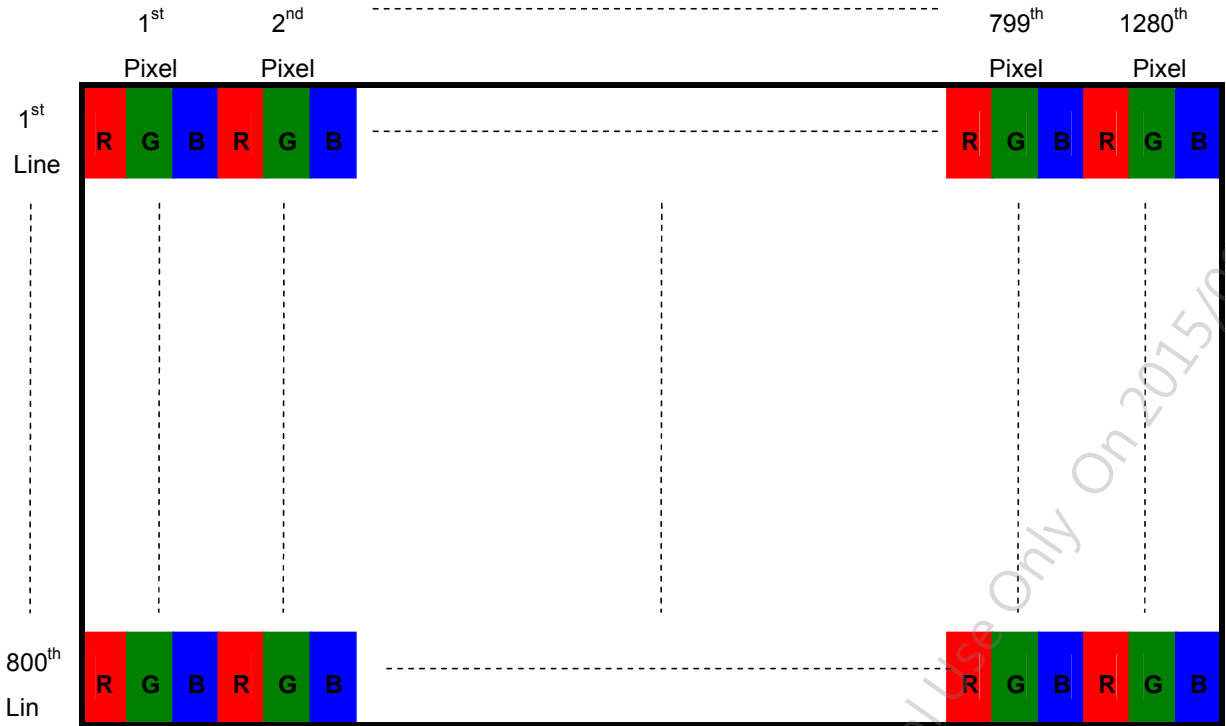
Note 3: If G101EVN01.0 module is driven by high current or at high ambient temperature & humidity condition. The operating life will be reduced.

Note 4: Operating life means brightness goes down to 50% initial brightness. Minimum operating life time is estimated data.

6. Signal Characteristic

6.1 Pixel Format Image

Following figure shows the relationship between input signal and LCD pixel format.



AUO Confidential For DATA_DISPLAY Internal Use Only On 2015/08/20

6.3 Signal Description

The module uses a LVDS receiver embedded in AUO's ASIC. LVDS is a differential signal technology for LCD interface and a high-speed data transfer device.

6.3.1 LVDS Connector Description

Physical interface is described as for the connector on module.

These connectors are capable of accommodating the following signals and will be following components.

Connector Name / Designation	For Signal Connector
Manufacturer	JAE or Compatible
Type / Part Number	JAE HD1S040HA1 or Compatible
Mating Housing/Part Number	IPEX 20453-040T-11or Compatible

6.3.2 LVDS Pin Assignment

LVDS is a differential signal technology for LCD interface and high speed data transfer device.

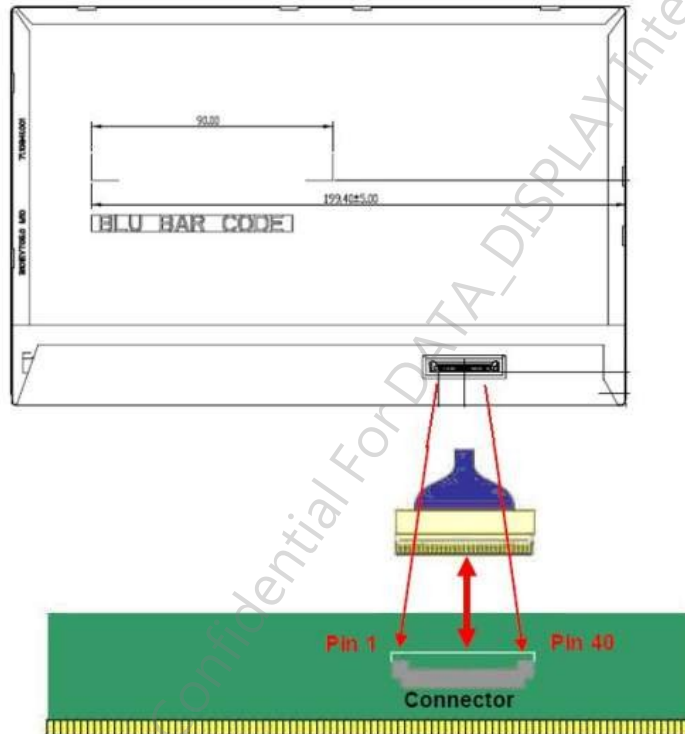
Pin No	Symbol	Function
1	NC	No Connection (Reserve)
2	VDD	Power Supply +3.3V
3	VDD	Power Supply +3.3V
4	VDD	Power Supply +3.3V
5	NC	No Connection (Reserve)
6	NC	No Connection (Reserve)
7	NC	No Connection (Reserve)
8	Rin0-	-LVDS differential data input(R0-R5,G0)
9	Rin0+	+LVDS differential data input(R0-R5,G0)
10	GND	Ground
11	Rin1-	-LVDS differential data input(G1-G5,B0-B1)
12	Rin1+	+LVDS differential data input(G1-G5,B0-B1)
13	GND	Ground
14	Rin2-	-LVDS differential data input(B2-B5,HS,VS,DE)
15	Rin2+	+LVDS differential data input(B2-B5,HS,VS,DE)
16	GND	Ground
17	ClkIN-	-LVDS differential clock input
18	ClkIN+	+LVDS differential clock input
19	GND	Ground-Shield
20	NC	No Connection (Reserve)
21	NC	No Connection (Reserve)
22	GND	Ground-Shield

23	NC	No Connection (Reserve)
24	NC	No Connection (Reserve)
25	GND	Ground-Shield
26	NC	No Connection (Reserve)
27	NC	No Connection (Reserve)
28	GND	Ground-Shield
29	NC	No Connection (Reserve)
30	NC	No Connection (Reserve)
31	VLED_GND	LED Ground
32	VLED_GND	LED Ground
33	VLED_GND	LED Ground
34	NC	No Connection (Reserve)
35	VPWM_EN	System PWM Logic Input Level
36	VLED_EN	LED enable input level
37	NC	No Connection (Reserve)
38	VLED	LED Power Supply
39	VLED	LED Power Supply
40	VLED	LED Power Supply

Note 1: Input Signals shall be in low status when VDD is off.

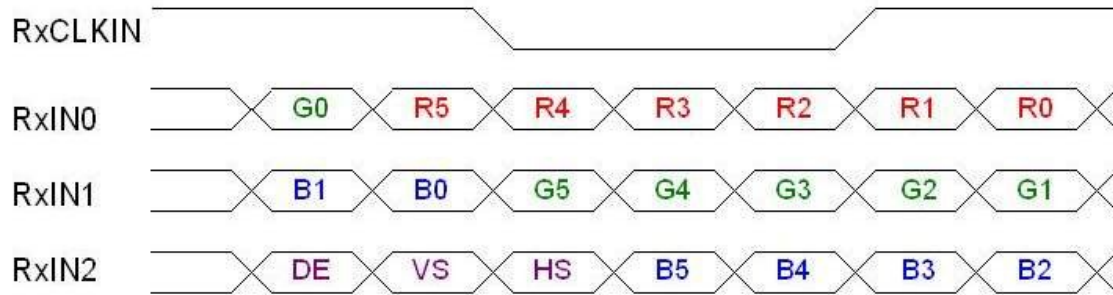
Note 2: High stands for "3.3V", Low stands for "0V", NC means "No Connection".

Note 3: RSV means "Reserved".



Note1: Input signals shall be low or High-impedance state when VDD is off.

6.4 The Input Data Format



Signal Name	Description	
R5 R4 R3 R2 R1 R0	Red Data 5 (MSB) Red Data 4 Red Data 3 Red Data 2 Red Data 1 Red Data 0 (LSB)	Red-pixel Data Each red pixel's brightness data consists of these 6 bits pixel data.
	Red-pixel Data	
G5 G4 G3 G2 G1 G0	Green Data 5 (MSB) Green Data 4 Green Data 3 Green Data 2 Green Data 1 Green Data 0 (LSB)	Green-pixel Data Each green pixel's brightness data consists of these 6 bits pixel data.
	Green-pixel Data	
B5 B4 B3 B2 B1 B0	Blue Data 5 (MSB) Blue Data 4 Blue Data 3 Blue Data 2 Blue Data 1 Blue Data 0 (LSB)	Blue-pixel Data Each blue pixel's brightness data consists of these 6 bits pixel data.
	Blue-pixel Data	
RxCLKIN	Data Clock	The signal is used to strobe the pixel data and DE signals. All pixel data shall be valid at the falling edge when the DE signal is high.
DE	Display Timing	This signal is strobed at the falling edge of RxCLKIN. When the signal is high, the pixel data shall be valid to be displayed.
VS	Vertical Sync	The signal is synchronized to RxCLKIN .
HS	Horizontal Sync	The signal is synchronized to RxCLKIN .

Note: Output signals from any system shall be low or High-impedance state when VDD is off.

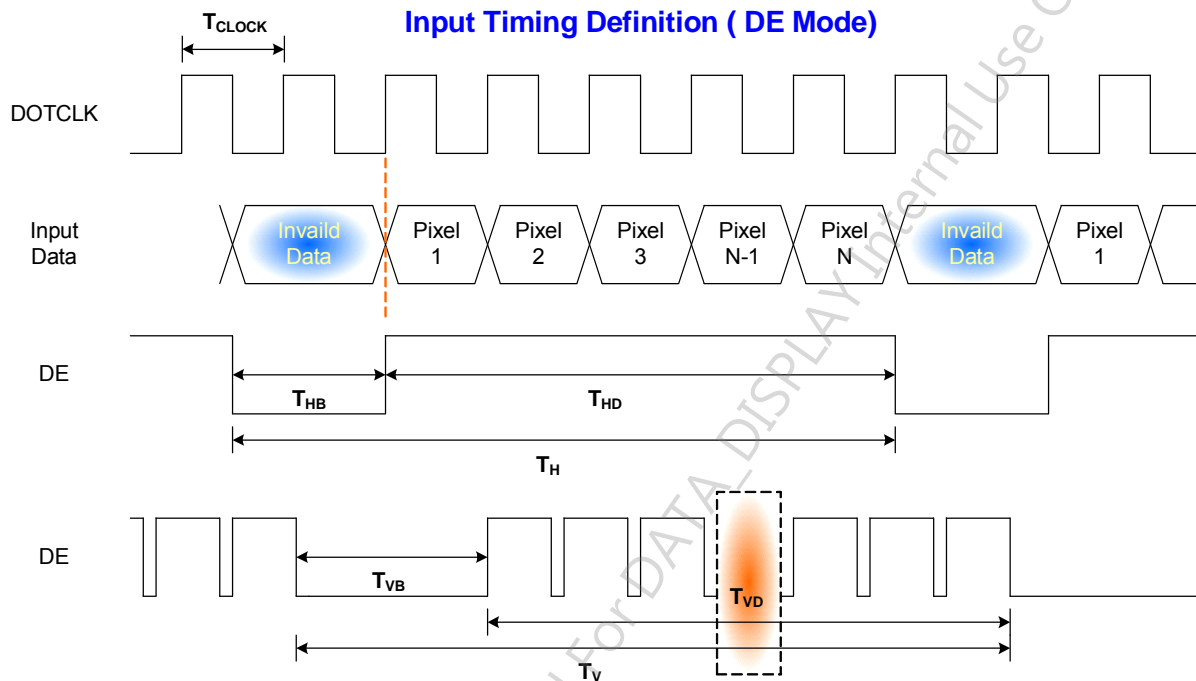
6.5 Interface Timing

6.5.1 Timing Characteristics

Signal	Symbol	Min.	Typ.	Max.	Unit	
Clock Frequency	$1/T_{\text{Clock}}$	64	68.93	85	MHz	
Vertical Section	Period	T_V	808	816	1023	T_{Line}
	Active	T_{VD}	800			
	Blanking	T_{VB}	8	16	223	
Horizontal Section	Period	T_H	1330	1408	2047	T_{Clock}
	Active	T_{HD}	1280			
	Blanking	T_{HB}	50	128	767	
Frame Rate	F	---	60	---	Hz	

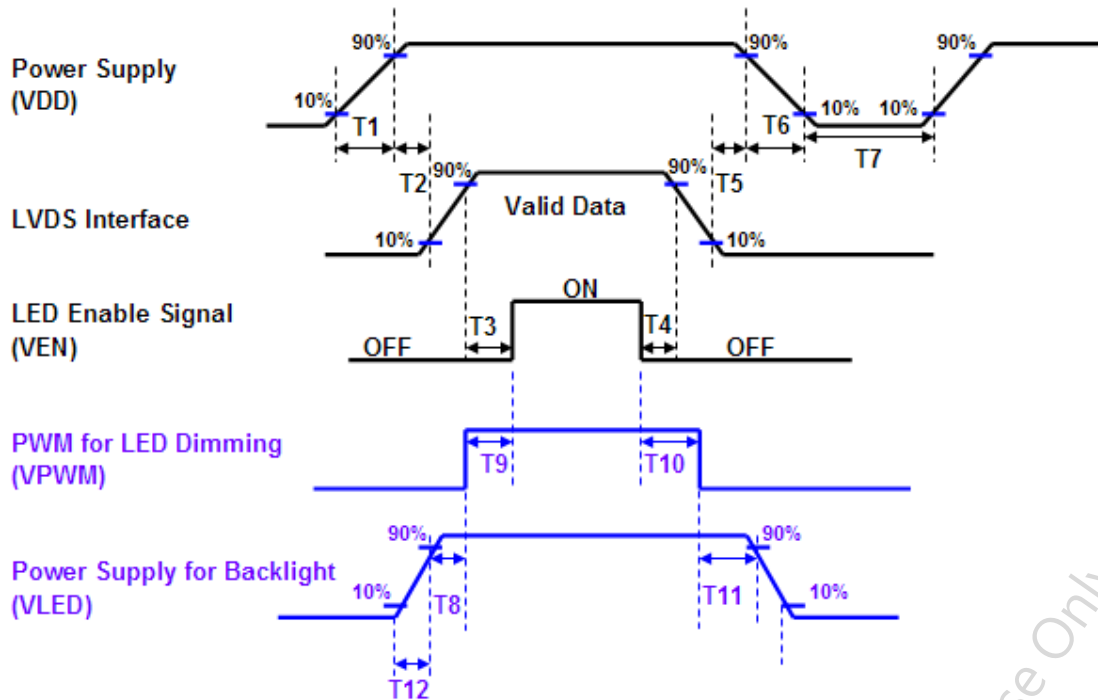
Note : DE mode.

6.5.2 Input Timing Diagram



6.6 Power ON/OFF Sequence

VDD power and lamp on/off sequence is as below. Interface signals are also shown in the chart. Signals from any system shall be Hi-Z state or low level when VDD is off.



Power ON/OFF sequence timing

Parameter	Value			Units
	Min.	Typ.	Max.	
T1	0.5		10	[ms]
T2	0		50	[ms]
T3	200		-	[ms]
T4	200		-	[ms]
T5	0		50	[ms]
T6	0		10	[ms]
T7	500		-	[ms]
T8	10		-	[ms]
T9	0		180	[ms]
T10	0		180	[ms]
T11	10		-	[ms]
T12	0.5		10	[ms]

The above on/off sequence should be applied to avoid abnormal function in the display. Please make sure to turn off the power when you plug the cable into the input connector or pull the cable out of the connector.

7. Reliability Test Criteria

Items	Required Condition	Note
Temperature Humidity Bias	40 °C /90%,300Hr	
High Temperature Operation	60 °C, 300Hr (center point of panel surface)	
Low Temperature Operation	-20 °C, 300Hr	
Hot Storage	70 °C, 300Hr	
Cold Storage	-30 °C, 300Hr	
Thermal Shock Test	-30 °C /30 min , 70 °C /30 min , 20cycles	
Hot Start Test	60 °C /1 Hr min. power on/off per 5 minutes, 5 times	
Cold Start Test	-20 °C /1 Hr min. power on/off per 5 minutes, 5 times	
On/off test	On/10 sec, Off/10 sec, 30,000 cycles	
ESD	Contact : ± 8KV/ operation, Class B Air : ± 15KV / operation, Class B	Note 1

Note1: According to EN61000-4-2 , ESD class B: Some performance degradation allowed. No data lost
 . Self-recoverable. No hardware failures.

Note2:

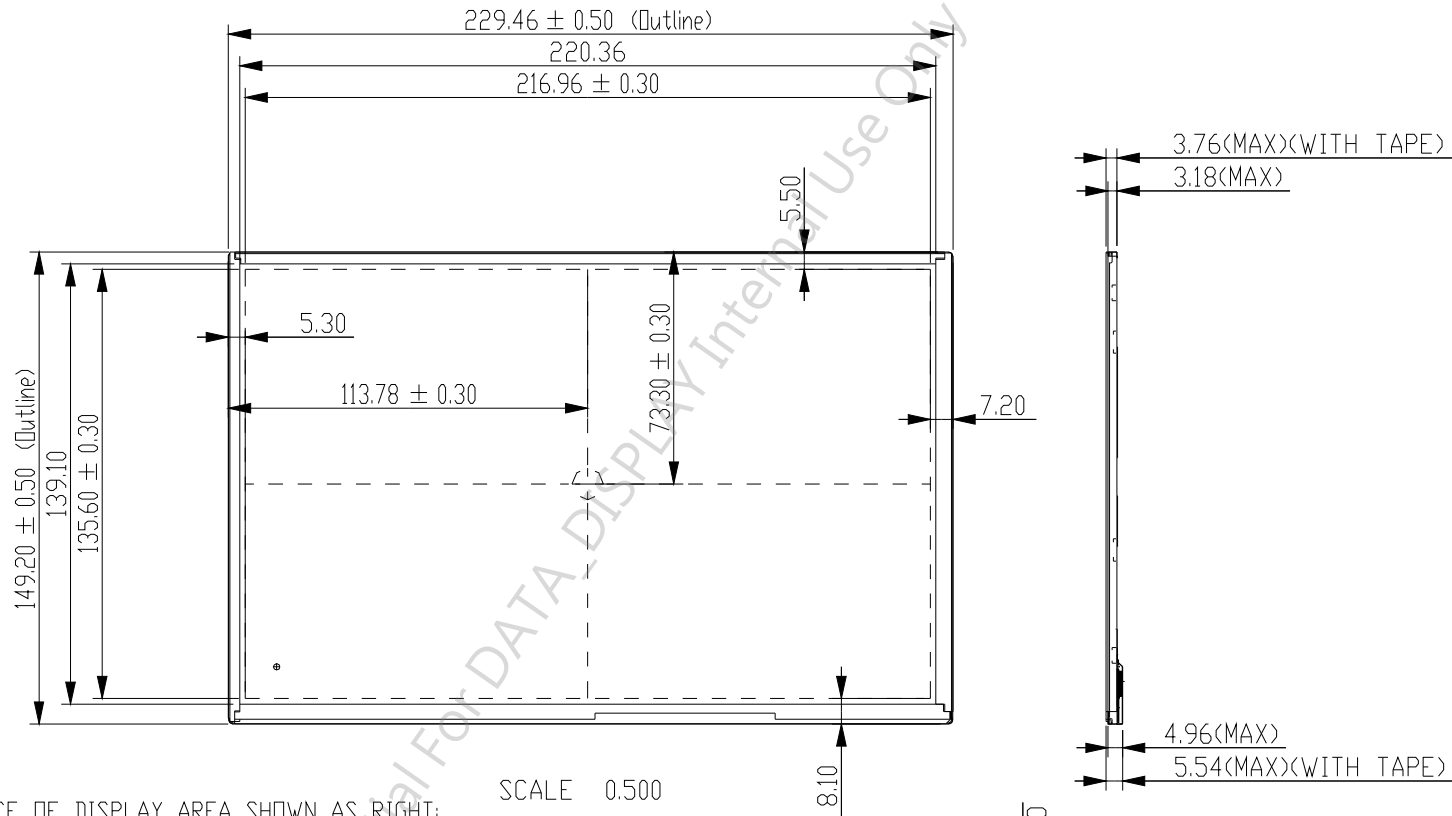
- Water condensation is not allowed for each test items.
- Each test is done by new TFT-LCD module. Don't use the same TFT-LCD module repeatedly for reliability test.
- The reliability test is performed only to examine the TFT-LCD module capability.
- To inspect TFT-LCD module after reliability test, please store it at room temperature and room humidity for 24 hours at least in advance.

AUO Confidential For DATA_DISPLAY Internal Use Only On 2015/08/20



8. Mechanical Characteristics

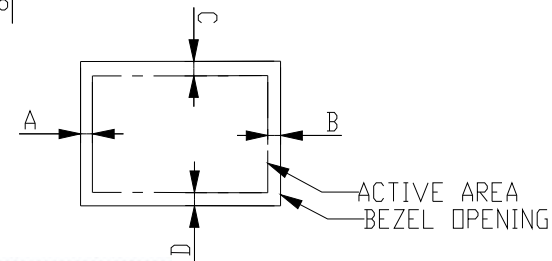
8.1 LCM Outline Dimension (Front View)



NOTE:

- 1. BLURRY TOLERANCE OF DISPLAY AREA SHOWN AS RIGHT:
 X-DIRECTION: IA-BI ≤ 1.0mm
 Y-DIRECTION: IC-DI ≤ 1.0mm
- 2. CN1: THE INTERFACE CONNECTOR
- 3. TORQUE OF M2 USER HOLE SHOULD BE WITHIN TBD kgf-cm AND RE-SCREW 10 TIMES.
- 4. USER HOLE MAXIMUM INSERTION DEPTH IS 2.5mm.
- 5. TOLERANCE IS ± 0.5mm IF NOT SPECIFIED.

SCALE 0.500



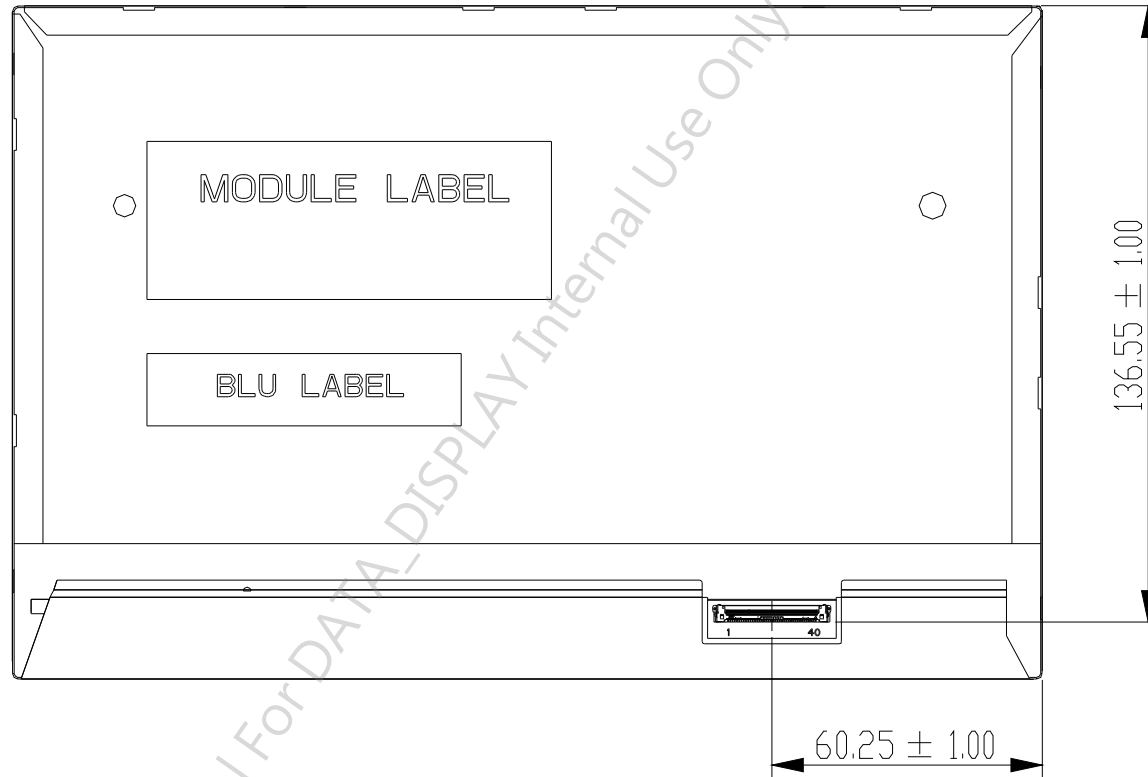


Product Specification

AU OPTRONICS CORPORATION

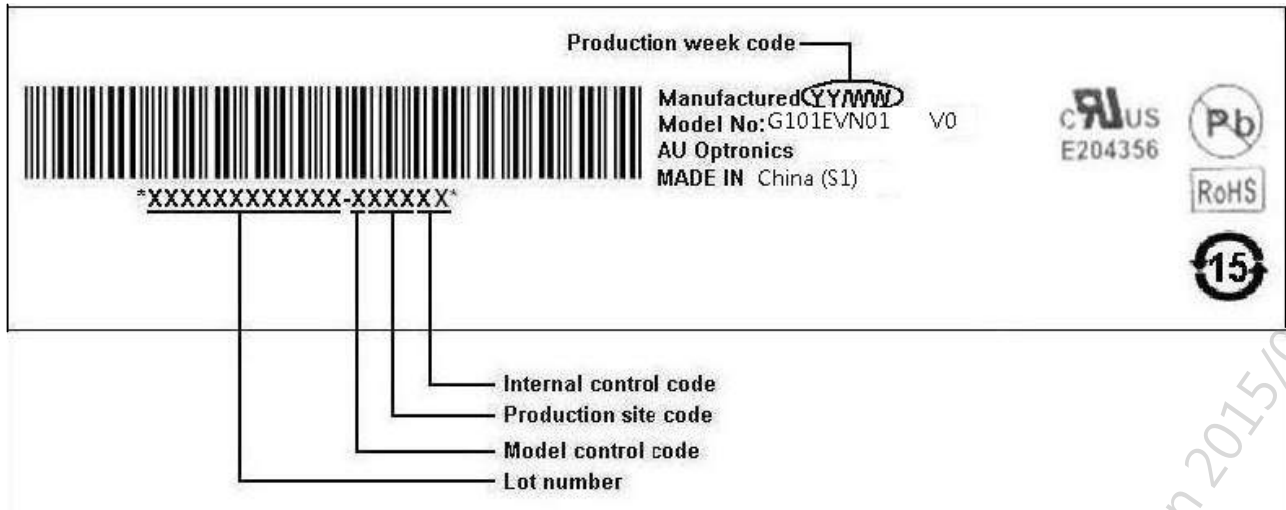
G101EVN01.0

8.2 LCM Outline Dimension (Rear View)

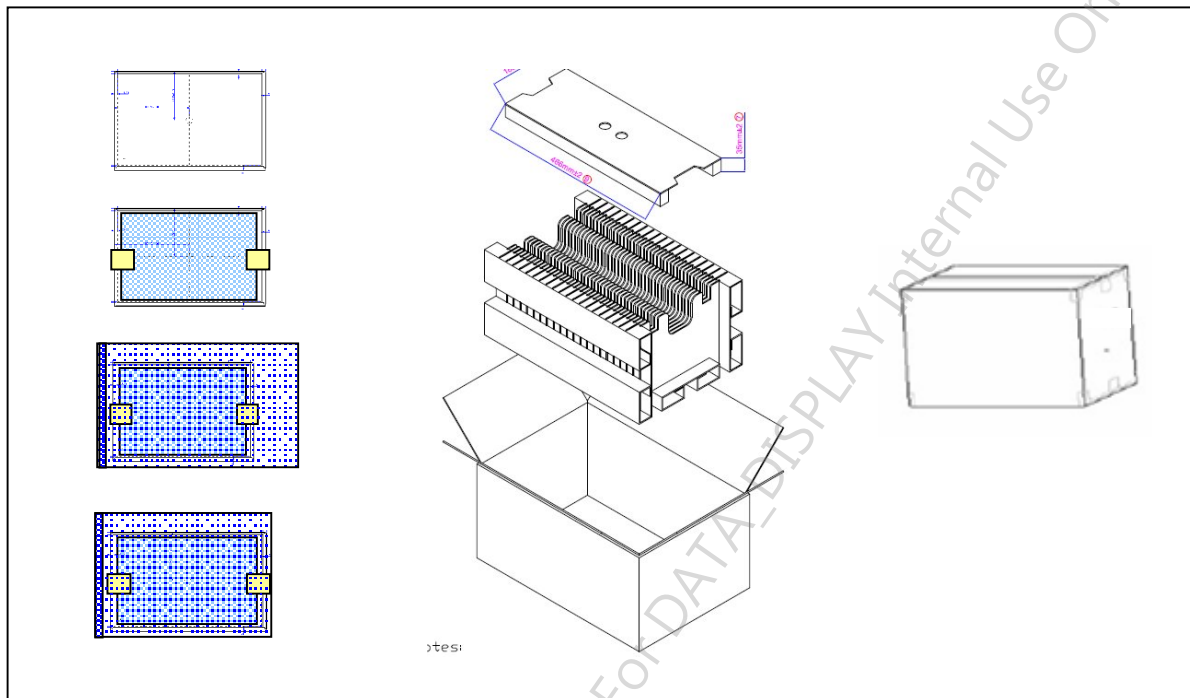


9. Label and Packaging

9.1 Shipping Label (on the rear side of TFT-LCD display)



9.2 Carton Package



Max capacity : 40 TFT-LCD module per carton

Max weight: 9.2 kg per carton

Outside dimension of carton: 484(L)*328(W)*257(H)mm

Pallet size : 1450mm*980mm*138mm



10 Safety

10.1 Sharp Edge Requirements

There will be no sharp edges or comers on the display assembly that could cause injury.

10.2 Materials

10.2.1 Toxicity

There will be no carcinogenic materials used anywhere in the display module. If toxic materials are used, they will be reviewed and approved by the responsible AUO toxicologist.

10.2.2 Flammability

All components including electrical components that do not meet the flammability grade UL94-V1 in the module will complete the flammability rating exception approval process.

The printed circuit board will be made from material rated 94-V1 or better. The actual UL flammability rating will be printed on the printed circuit board.

10.3 Capacitors

If any polarized capacitors are used in the display assembly, provisions will be made to keep them from being inserted backwards.

10.4 National Test Lab Requirement

The display module will satisfy all requirements for compliance to:

UL 60950-1 second edition

U.S.A. Information Technology Equipment

AUO Confidential For DATA_DISPLAY Internal Use Only On 2015/08/20

Our company network supports you worldwide with offices in Germany, Austria, Switzerland, the UK and the USA. For more information please contact:

Headquarters

Germany



FORTEC Elektronik AG

Lechwiesenstr. 9
86899 Landsberg am Lech

Phone: +49 8191 91172-0
E-Mail: sales@forteca.de
Internet: www.forteca.de

Fortec Group Members

Austria



FORTEC Elektronik AG

Office Vienna

Nuschinggasse 12
1230 Wien

Phone: +43 1 8673492-0
E-Mail: office@fortec.at
Internet: www.fortec.at

Germany



Distec GmbH

Augsburger Str. 2b
82110 Germering

Phone: +49 89 894363-0
E-Mail: info@distec.de
Internet: www.distec.de

Switzerland



ALTRAC AG

Bahnhofstraße 3
5436 Würenlos

Phone: +41 44 7446111
E-Mail: info@altrac.ch
Internet: www.altrac.ch

United Kingdom



Display Technology Ltd.

Osprey House, 1 Osprey Court
Hichingbrooke Business Park
Huntingdon, Cambridgeshire, PE29 6FN

Phone: +44 1480 411600
E-Mail: info@displaytechnology.co.uk
Internet: www.displaytechnology.co.uk

USA



Apollo Display Technologies, Corp.

87 Raynor Avenue,
Unit 1 Ronkonkoma,
NY 11779

Phone: +1 631 5804360
E-Mail: info@apolloDisplays.com
Internet: www.apolloDisplays.com