

Datasheet

EETI

EXC345442CAG

TO-02-266

The information contained in this document has been carefully researched and is, to the best of our knowledge, accurate. However, we assume no liability for any product failures or damages, immediate or consequential, resulting from the use of the information provided herein. Our products are not intended for use in systems in which failures of product could result in personal injury. All trademarks mentioned herein are property of their respective owners. All specifications are subject to change without notice.



禾瑞亞科技股份有限公司
eGalax_eMPIA Technology Inc.

Projected Capacitive USB/RS232 Touch Panel Controller

eGalax_eMPIA launched touch control board to meet latest Restriction of Hazardous Substances (RoHS) Directive. This touch panel controller provides the optimistic performance of your projected capacitive touch panels. It communicates with PC system directly through USB/UART connector. You can see how superior the design is in sensitivity · accuracy and friendly operation. The touch panel driver emulates mouse left and right button function and supports operation systems as following.

OS	Version	Interfaces
Windows	Windows 8(Need logo submission)	USB/RS232 (Win8)
	Windows 7	
	Windows Vista, XP/2000	
	Windows CE.net/5.0/6.0/7.0	
	Windows Embedded Windows XP Tablet PC edition	
Linux	Distribution based on Kernel 2.6.24 and later. (Ubuntu/Linux Mint Debian Fedora Red Hat/CentOS Magaie/Mandriva/Mandrake SUSE/openSUSE	USB/RS232
	Android 2.3 ~ 4.4	USB/RS232
Mac	Mac OS, Mac OS X (PowerPC, Intel CPU)	USB
QNX	QNX RTOS v6.3	USB/RS232

Controller:



Specifications:

USB/RS232 Type Controller	
Circuit Board Dimension	33mm x 126mm
Channels of Panel	Max. Tx:40 Rx:52 channels (exclude shielding pin)
Input Voltage	3.5V~5.5V.Typical 5V.
Operating Temperature	-40 to 85 °C
Storage Temperature	-40 to 90 °C
Relative Humidity	95% at 60 °C, RH Non-condensing
Linearity(Note 1)	Line drawing accuracy : 1pt +/- 1mm offset /10mm Touch (point) accuracy : 1pt +/- 1mm Refer to Windows 8 Logo regulation
Interface	USB: 1.1 Full Speed RS232: No parity,8 data bits,1 stop bit, baud rate 19200bps
Resolution	4096×4096 resolution
Power consumption(mA)	Active Mode: <106mA Idle Mode : <64mA Sleep Mode :< 12mA (Operation Mode :Active Mode only)
Report rate(points/sec) (Note 2)	> 100 Hz
Response time	Average < 25 ms

Note 1: Channel pitch should be design 4.8mm (Win8) or < 6mm (Non-Win8).

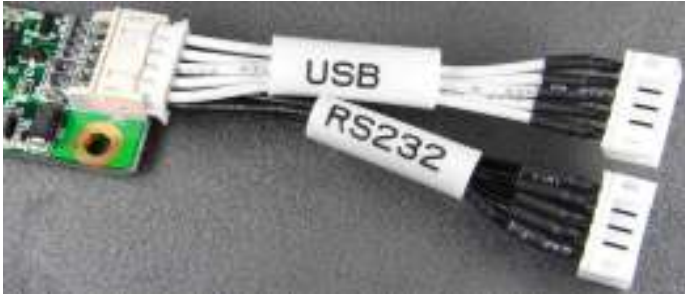
Note 2: Report rate will vary by channel number, cover thickness and other parameters.

Product Package:

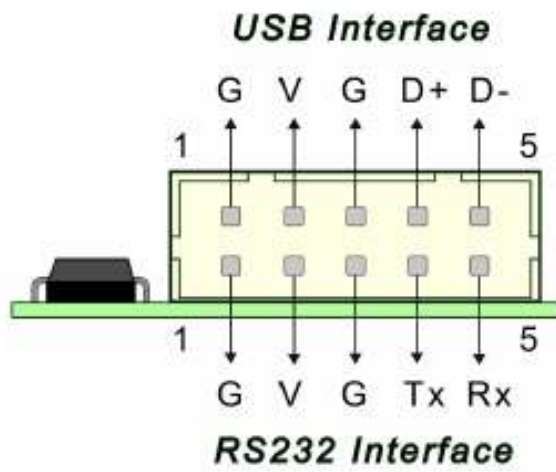
- (1) PCAP Controller Board (ETP-MB-EXC345442CAG-XXXX)
- (2) Y-Cable (ETP-CB-SXC00)
- (3) USB or RS232 cable

Interface Connector JP1:

USB/RS232 Combo Connector



USB&RS232 interface:



CONFIDENTIAL

CONFIDENTIAL

Our company network supports you worldwide with offices in Germany, Great Britain, Turkey and the USA.
For more information please contact:



DATA DISPLAY GROUP

A **FORTEC** GROUP MEMBER

Distec GmbH

Augsburger Str. 2b
82110 Germering
Germany

Phone: +49 (0)89 / 89 43 63-0
Fax: +49 (0)89 / 89 43 63-131
E-Mail: info@datadisplay-group.de
Internet: www.datadisplay-group.de

Display Technology Ltd.

5 The Oaks Business Village
Revenge Road, Lordswood
Chatham, Kent, ME5 8LF
United Kingdom
Phone: +44 (0)1634 / 67 27 55
Fax: +44 (0)1634 / 67 27 54
E-Mail: info@displaytechnology.co.uk
Internet: www.datadisplay-group.com

Sales Partner:

DATA DISPLAY BİLİŞİM TEKNOLOJİLERİ İÇ VE DIŞ TİCARET LİMİTED ŞİRKETİ

Barbaros Mh. Ak Zambak Sk. A Blok D:143
34376 Ataşehir / Istanbul
Turkey
Phone: +90 (0)216 / 688 04 68
Fax: +90 (0)216 / 688 04 69
E-Mail: info@data-display.com.tr
Internet: www.data-display.com.tr

FORTEC Elektronik AG

Lechwiesenstr. 9
86899 Landsberg am Lech
Germany

Phone: +49 (0)8191 / 911 72-0
Fax: +49 (0)8191 / 217 70
E-Mail: sales@fortecag.de
Internet: www.fortecag.de

Apollo Display Technologies, Corp.

87 Raynor Avenue,
Unit 1 Ronkonkoma,
NY 11779
United States of America
Phone: +1 631 / 580-43 60
Fax: +1 631 / 580-43 70
E-Mail: info@apolloDisplays.com
Internet: www.apolloDisplays.com